



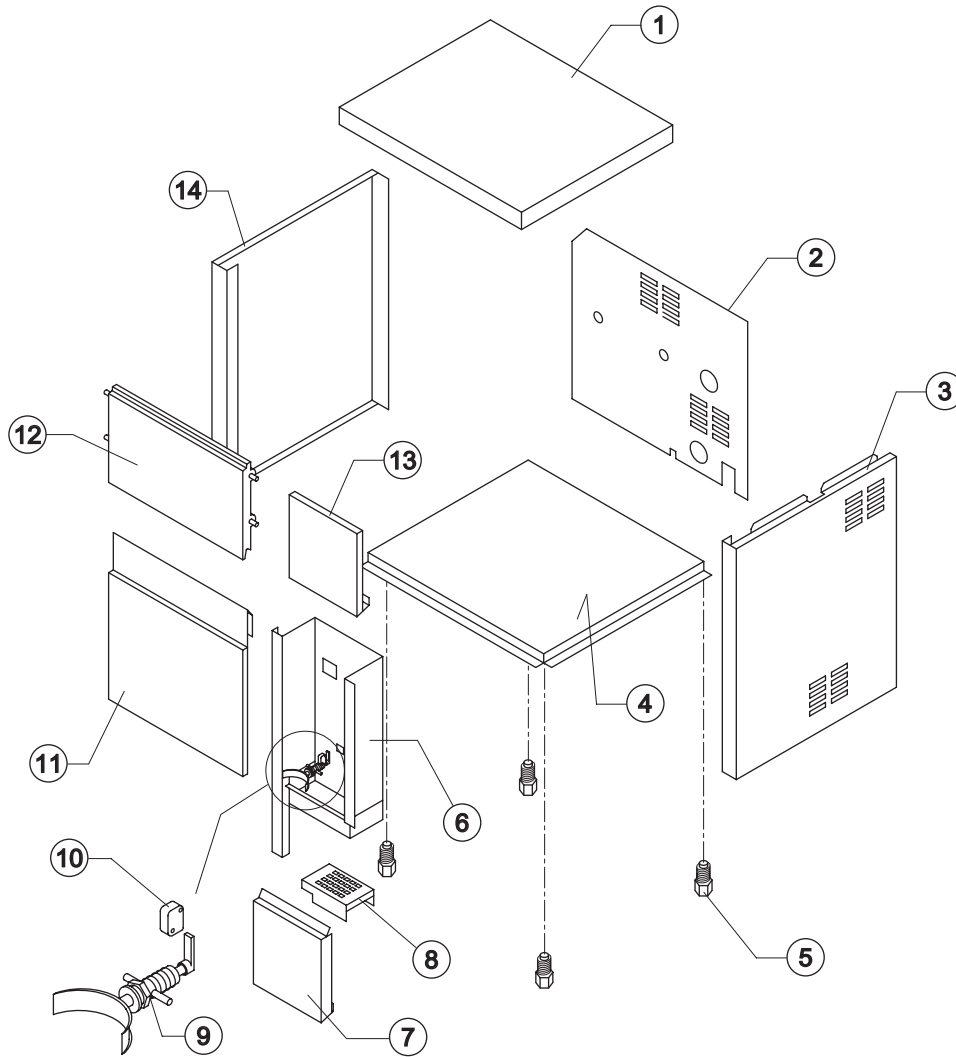
SHELL ASSY

COOLING SYSTEM

HYDRAULIC CIRCUIT

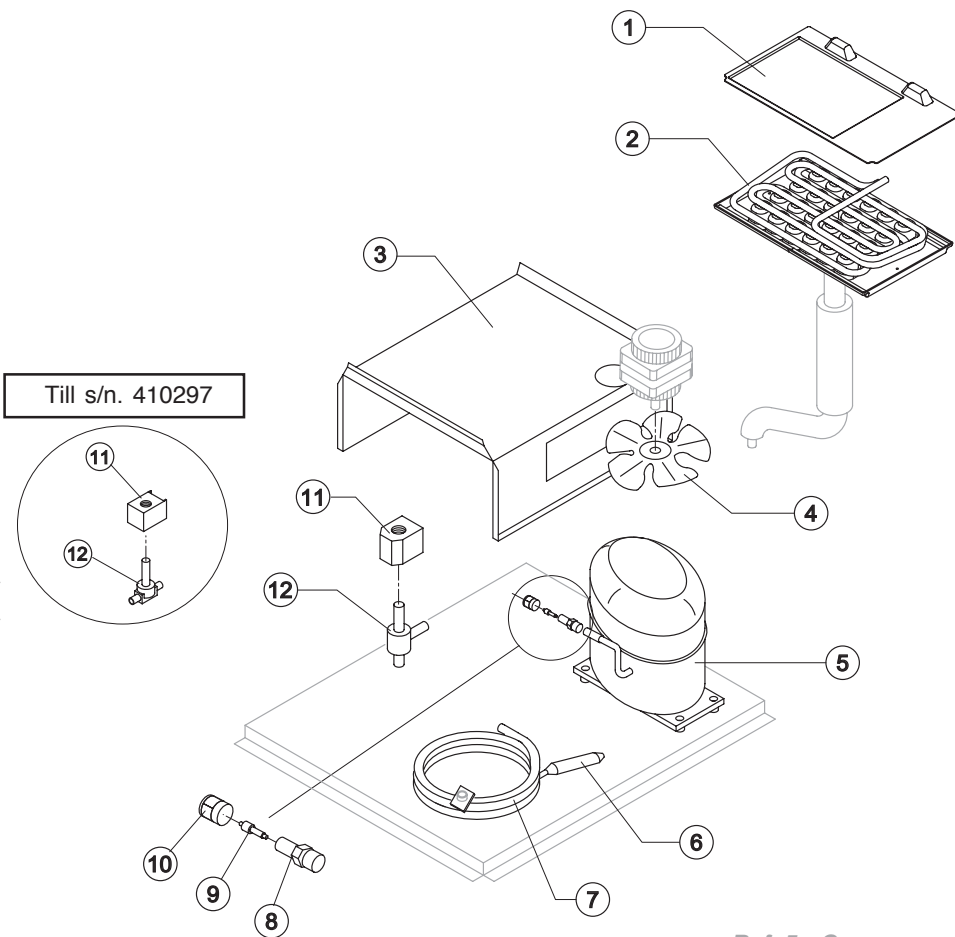
SPRAYER PUMP

ELECTRIC PARTS



Ref.	Spare Description	Code
1	Top Assembly	C22199
2	Rear Panel	22198
3	Right Side Panel	22200
4	Base Plate	21105
5	Foot	10017
6	Ice Dispenser Panel	22273
7	Basin Cover Panel	22190
8	Glass Support	22183
9*	Ice Dispenser Push Button Assembly	C26544
10*	Microswitch	23055
11	Front Panel (Bin Side)	22189
12	Dark Grey Door	10277
13	Tap Cover	22197
14	Left Side Panel	22201

Rev. 8 - 10/09/2010



Ref.	Spare Description	Code
1	Evaporator Cover Panel	Current Version
1	Evaporator Cover Panel	Till s/n. 225972
2	Evaporator	D10079
3	Bin Support Frame	21108
4	Pressing Fan	Till s/n. 410297
5	Compressor	See Table
6*	Molecular Drier	14009
7	Water Condenser	Current Version
7	Water Condenser	Till s/n. 410297
8	Vacuum-Charge Valve Body	14007
9*	Vacuum-Charge Valve Device	14005
10*	Vacuum-Charge Valve Plug	14006
11*	Hot Gas Valve Coil	See Table
12*	Hot Gas Valve Body	Current Version
12	Hot Gas Valve Body	Till s/n. 410297

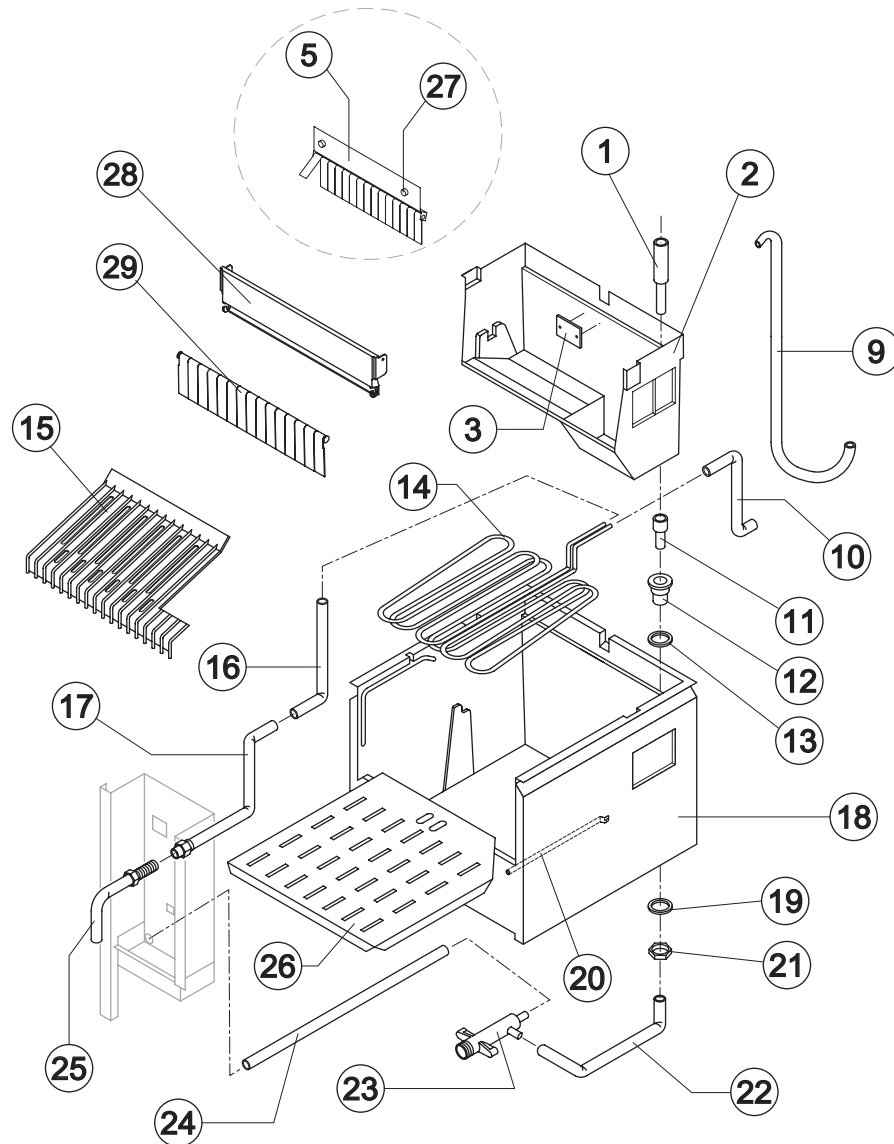
Rev. 8 - 10/09/2010

Ref. 5 - Compressor

Tension	Code Current Version	Code Till s/n. 410297
T11	23886	23436
T12	23494	23494
T13	23446	23446
T19	23446	23446

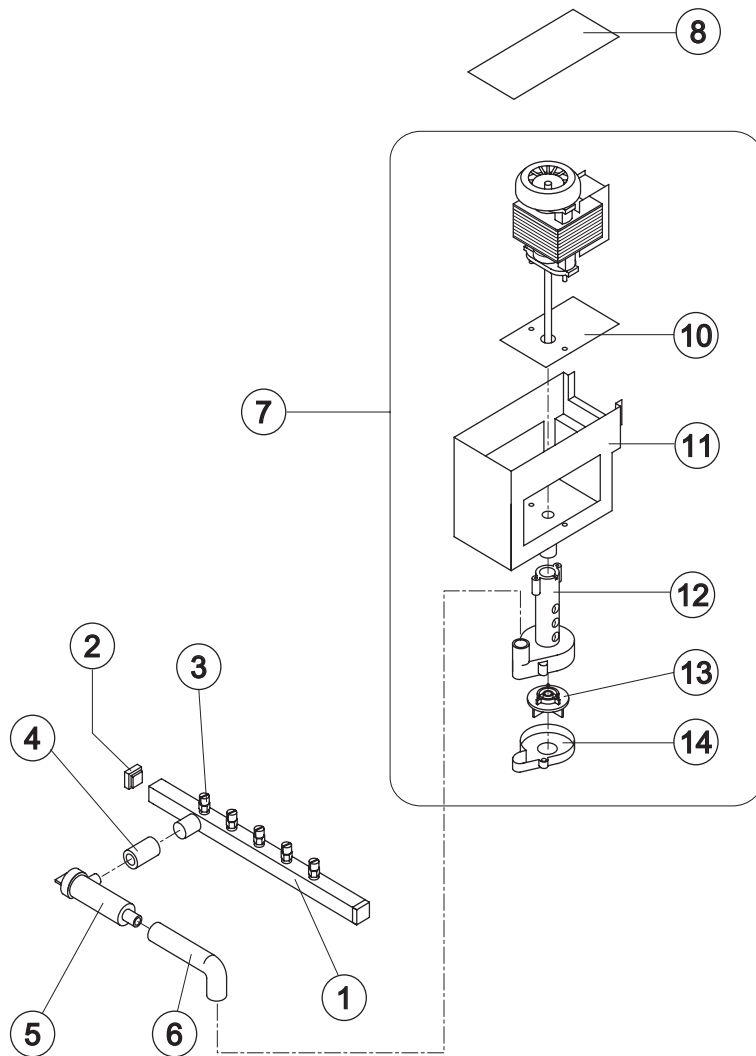
Ref. 11* - Hot Gas Valve Coil

Tension	Code Current Version	Code Till s/n. 410297
T11	23854	23091
T12	23854	23091
T13	23855	23256
T19	23855	23256



Ref.	Spare Description	Code
1*	Overflow Pipe	13028
2	Inner Basin	10064
3	Slide Keep Plate	10142
5	Panel with Flags	Till s/n. 380376 C22106
9*	Evaporator Feeding Pipe	C20535
10	Inlet Valve-Coil Connection Pipe	13156
11*	Overflow Pipe	C13045
12	Water Outlet Nipple	10472
13	Silicone Gasket	13006
14	Water Coil	14099
15	Ice Cubes Slide	10136
16	Coil-Faucet Connection Pipe	13156
17	Tap Feeding Pipe	14102
18	Foamed Bin	R11016/E
19	Semirigid Polyethylene Gasket	13007
20	Bulbe Thermostat Tube	20520
21	Bin Discharge Nut	10096
22	Bin Discharge Pipe	13044
23	Discharge Manifold	C10121
24	Dispenser Water Discharge Pipe	13043
25	Tap	20195
26	Coil Covering Grid	22188
27	Fixing Screw	Till s/n. 380376 20009
28	Flags ABS Support	Current Version 10530
29	Rod With Flags	Currente Version C10532

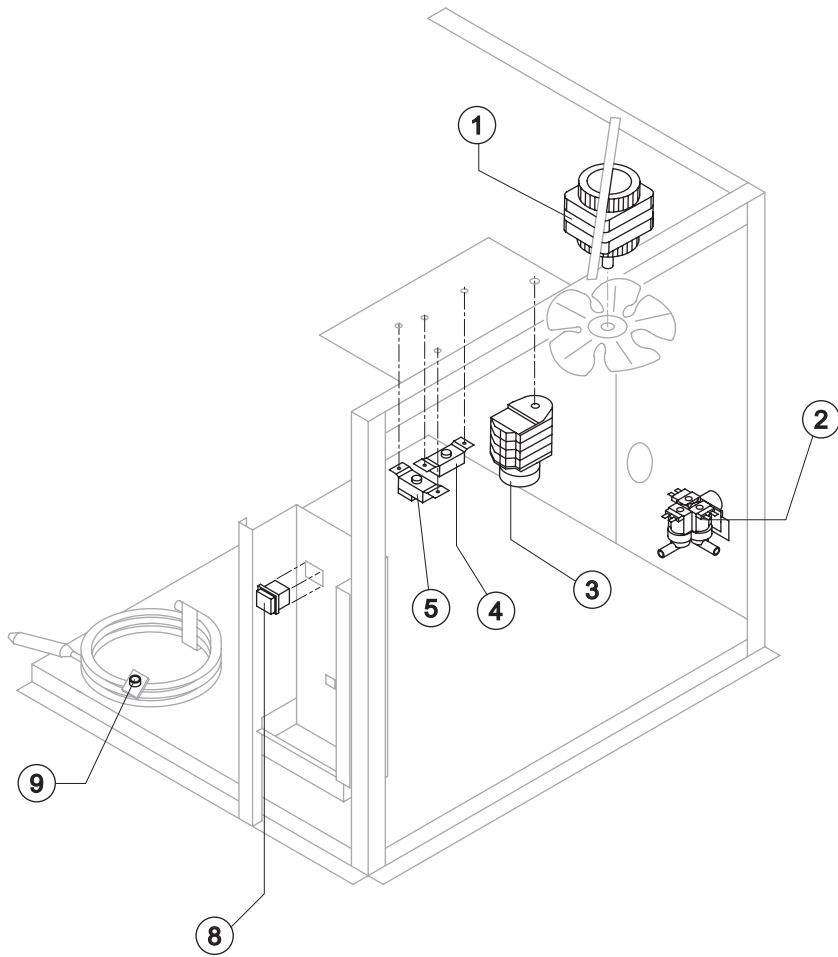
Rev. 8 - 10/09/2010



Ref.	Spare Description	Code	
1*	Sprayers Bar Assembly	C20147	
2	Sprayers Bar Plug	10012	
3	Sprayer	D20002	
4	Filter-Sprayers Bar Connection Pipe	13056	
5*	Pump Filter	10139	
6	Pump-Filter Connection Pipe	13055	
7*	Pump Assy	See Table	-
8	Pump Cover	Till s/n. 225972	22096
10	Heat Dissipator		22430
11	Pump Motor Box		10073
12	Pump Body		10065
13	Pump Imeller		10066
14	Diffusor		10067

Ref. 7* - Pump Assy

Tension	Code Current Version	Code Till s/n. 410297
T11	C23858	C23076
T12	C23892	C23270
T13	C23893	C23271
T19	C23893	C23271



Ref.	Spare Description	Code
1	Fan Motor Till s/n. 410297 See Table	-
2*	3 Ways- Water Inlet Valve See Table	-
3*	Timer See Table	-
4*	Bin Thermostat	R23005
5*	Evaporator Thermostat	R23591
8*	Green Light Switch (on-Off)	23327
9*	Safety Thermostat	C23114

Ref. 1 - Fan Motor

Tension	Code
T11	23029
T12	23029
T13	23683
T19	23683

Ref. 2* - 3Ways- Water Inlet

Tension	Code
T11	23144
T12	23144
T13	23269
T19	23269

Ref. 3* - Timer

Tension	Code
T11	23247
T12	23247
T13	23258
T19	23258