



SHELL

COOLING SYSTEM

HYDRAULIC CIRCUIT

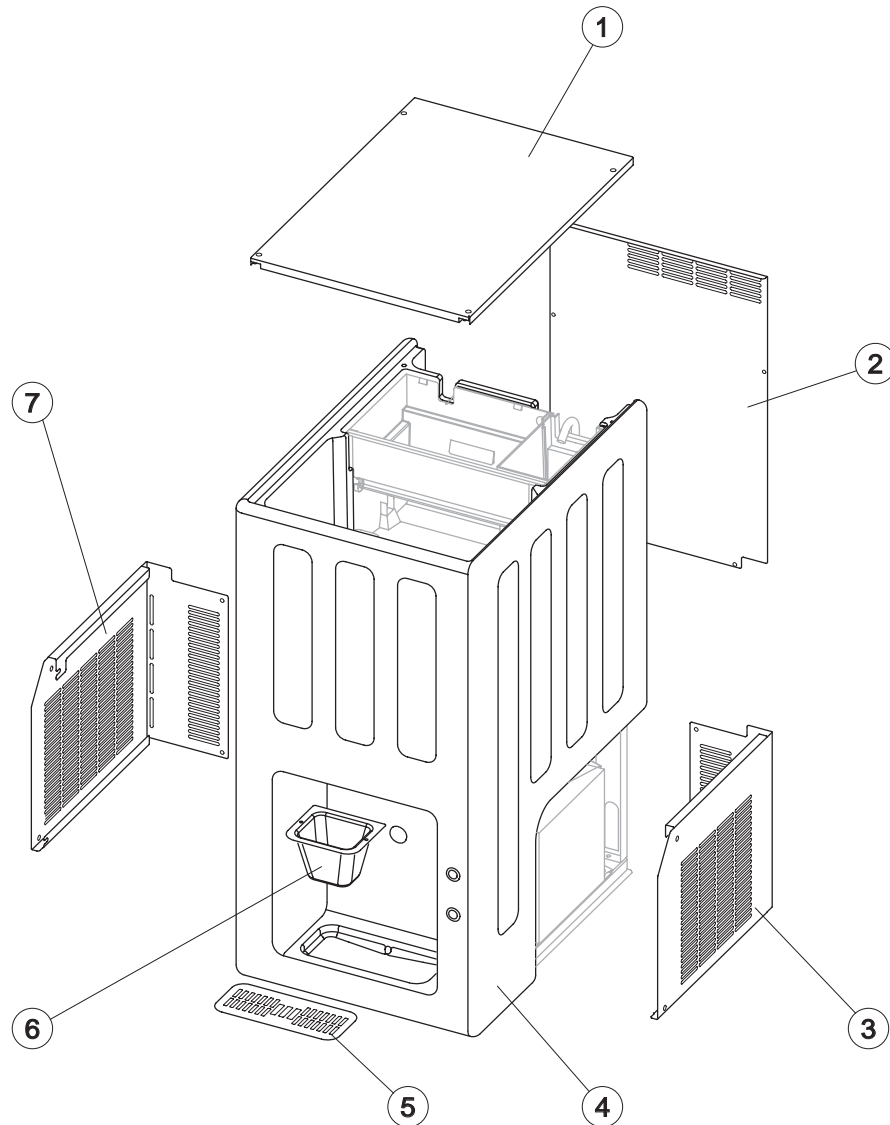
SPRAYER PUMP

ELECTRIC PARTS



Hiku 26

SHELL



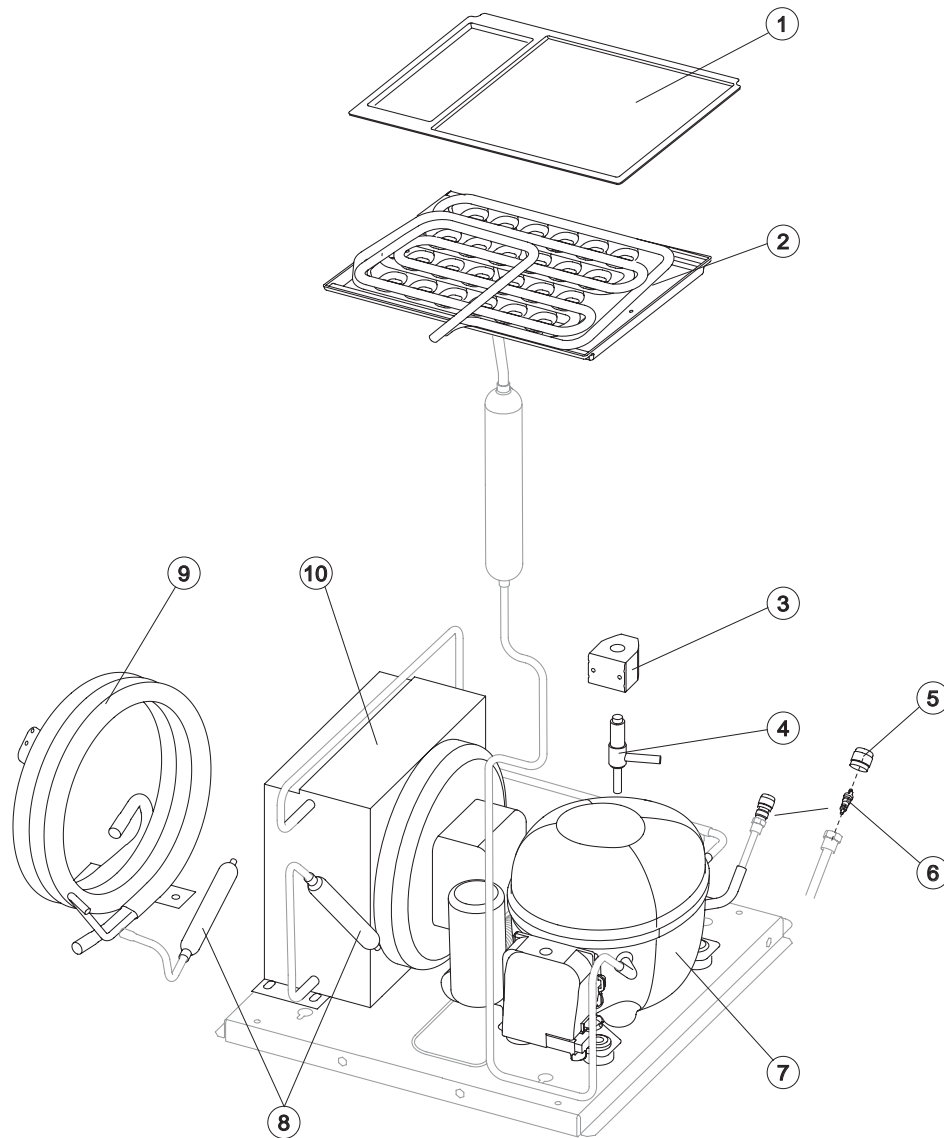
Ref.	Spare Description	Code
1	Top	221333
2	Rear panel	21375
3	Right side panel	221334
4	Body	See table
5	Glass support plate	221338
6	Distributor glass	10634
7	Left side panel	221335

Ref. 4 - Body

Spare Description	Code
White body	11172B
Green body	11172V
Black body	11172N



Rev. 02 - 26/08/2013



Ref.	Spare Description	Code
1	Evaporator Cover Panel	10498
2	Evaporator Assembly	D10079
3	Hot Gas valve Coil	See table
4	Hot Gas Valve Body	20853
5	Vacuum-Charge Valve Plug	14006
6	Vacuum-Charge Valve Device	14005
7	Compressor	See table
8	Molecular Drier	14009

Parts for Air-Cooled version Only

Ref.	Spare Description	Code
10	Air Condenser with Ventilator Assembly	See table

Parts for Water-Cooled version Only

Ref.	Spare Description	Code
9	Water Condenser	14057

Ref. 3 - Hot Gas Valve Coil

Voltage	Code
T11	23854
T12	23854
T13	23855

Ref. 7- Compressor

Voltage	Code
T11	231003
T12	23494A
T13	231036

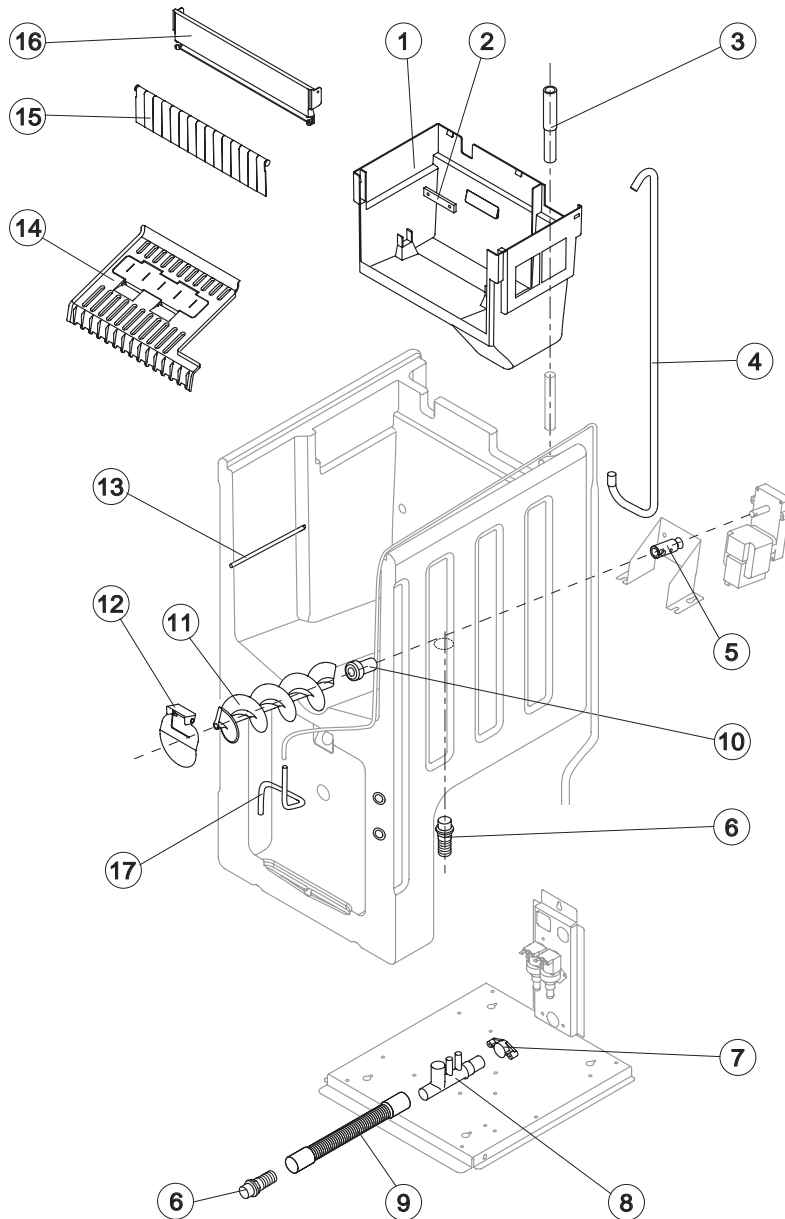
Ref. 10 - Air Condenser with Ventilator Assembly

Voltage	Code
T11	23995
T12	23995
T13	231011



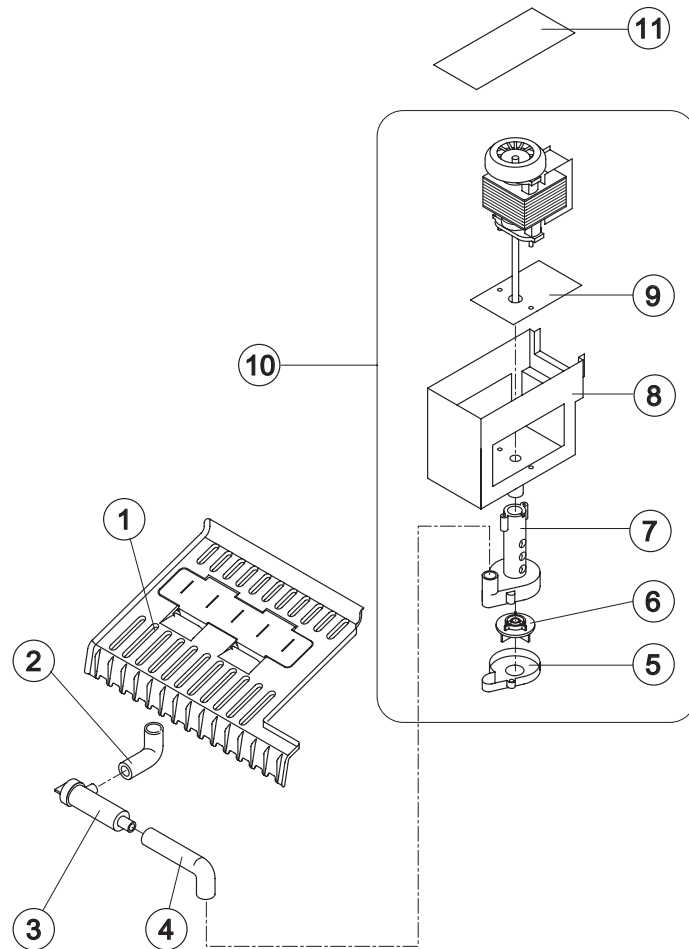
Hiku 26

HYDRAULIC CIRCUIT



Ref.	Spare Description	Code
1	Inner basin	10064
2	Slide Keep Plate	10142
3	Overflow Pipe	13028
4	Evaporator Feeding Pipe	13005
5	Bushing for ice cube conveyor	20280
6	Connection	20556
7	Discharge Manifold Flange	10633
8	Discarghes Manifold	10632
9	Discarghe Pipe	13168
10	Gasket	13028
11	Ice Cube Conveyor	201027
12	Ice Dispensing Mechanism Assembly	C221336
13	Bulbe holder pipe	20522
14	Sprayers Bar Assembly	C10626
15	Flags Rod	C10532
16	Flags Support	10530
17	Tap	201079

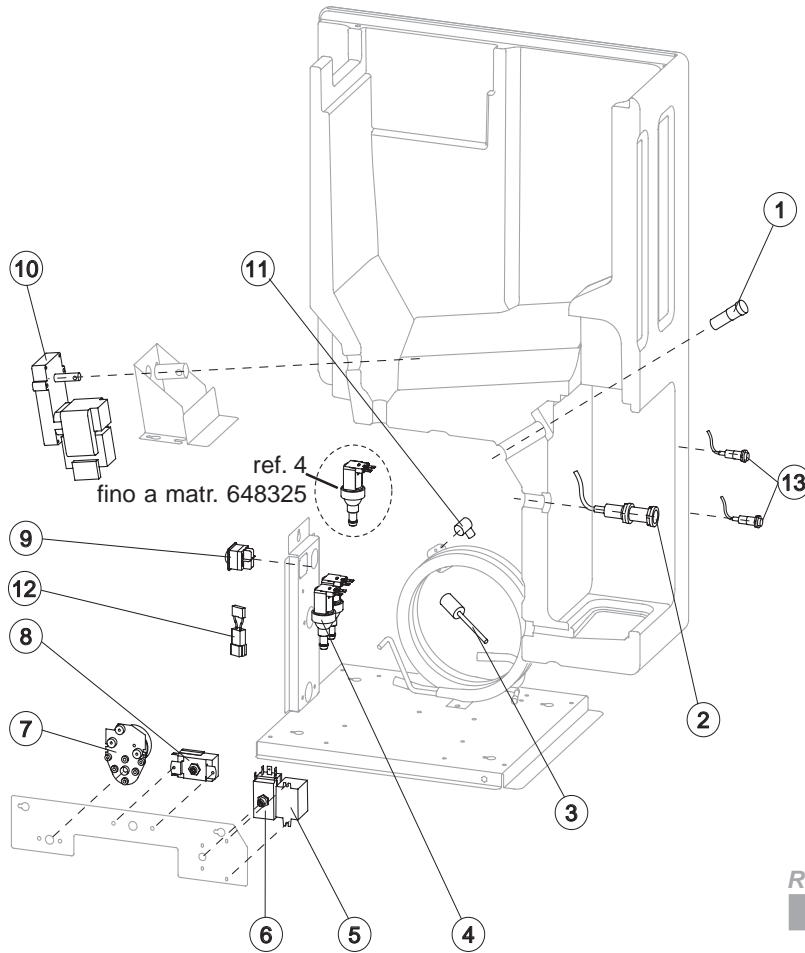
Rev. 02 - 26/08/2013



Ref.	Spare Description	Code
1	Sprayers Bar/Slide Assembly	C10626
2	Sprayers Pipe Feeding	13005
3	Pump Filter	10139
4	Pump-Filter Connection Pipe	13055
5	Diffusor	10067
6	Pump Impeller	10066
7	Pump Body	10065
8	Pump Box	10073
9	Heat dissipator	22430
10	Pump Assembly	See table
11	Pump Cover	10647

Ref. 10 - Pump Assy

Voltage	Code
T11	C23858
T12	C23892
T13	C23893



Ref.	Spare Description	Code
1	Led	See table -
2	Optical sensor	till s/n. 648325 231004
5	Relay	See table -
6	Evaporator Thermostat	R23591
7	Timer	See table -
8	Bin Thermostat	R23005
9	Green Light Switch (on-off)	23908
10	Gearmotor	See table -
13	Ice or water delivery push button	from s/n. 648326 231029

Parts for Air-Cooled version Only

Ref.	Spare Description	Code
4	2 Ways-Water Inlet Valve	See table -

Ref.	Spare Description	Code
3	Condenser Pressure Switch	23906
4	2 Ways-Water Inlet Valve	See table -
11	Safety Thermostat	C23114
12	Anti Radio Interference Filter	Only T11 C23457

Ref. 1 - Led

Voltage	Code
T11	231005
T12	231005
T13	231010

Ref. 4 - Relay

Volatge	Code
T11	23190
T12	23190
T13	23557

*Air version - from s/n. 648326
Ref. 4 - 2 Ways-water Inlet Valve*

Voltage	Code
T11	23501
T12	23501
T13	231084

Ref. 5 - Gearmotor

Voltage	Code
T11	231002
T12	231002
T13	231009

*Air version - till s/n. 648325
Ref. 4 - 1 Way-water Inlet Valve*

Voltage	Code
T11	23115
T12	23115
T13	23410

Ref. 6 - Timer

Voltage	Code
T11	23247
T12	23247
T13	23258

*Water Version - till s/n. 648325
Ref. 4 - 2 Ways-water Inlet Valve*

Voltage	Code
T11	23542
T12	23542
T13	23592