



TM 450A HC

LIST OF THE EXPLODED VIEWS



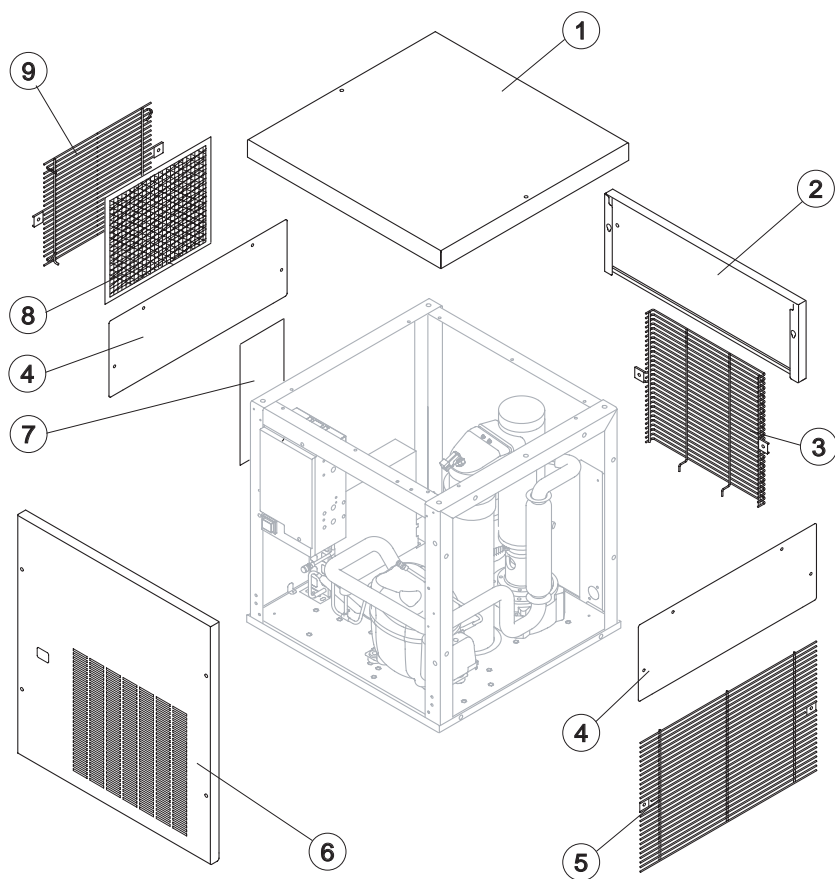
SHELL ASSY

COOLING SYSTEM

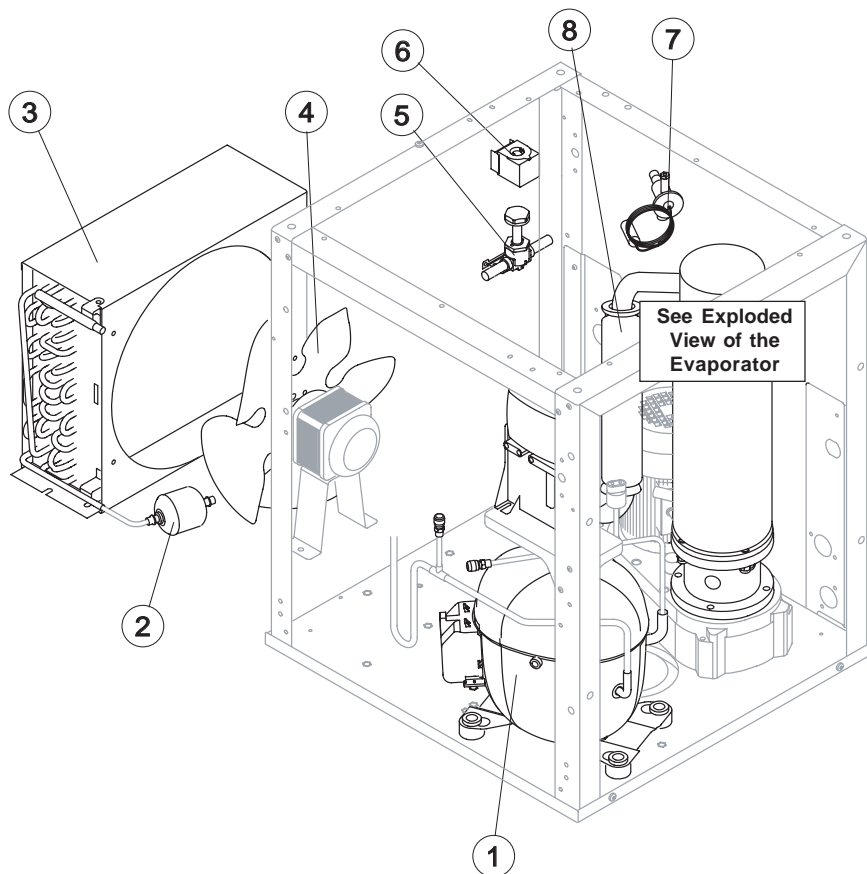
EVAPORATOR

HYDRAULIC CIRCUIT

ELECTRIC PARTS



<i>Ref.</i>	<i>Spare Description</i>	<i>Code</i>
1	Top	221518
2	Back Panel	221513
3	Back Grill	D12091
4	Right/Left Side Panel	221515
5	Right Side Grill	D12092
6	Front Panel	221511
7	Lower Left Side Panel	221517
8*	Filter	18246
9	Left Side Grill	D12093

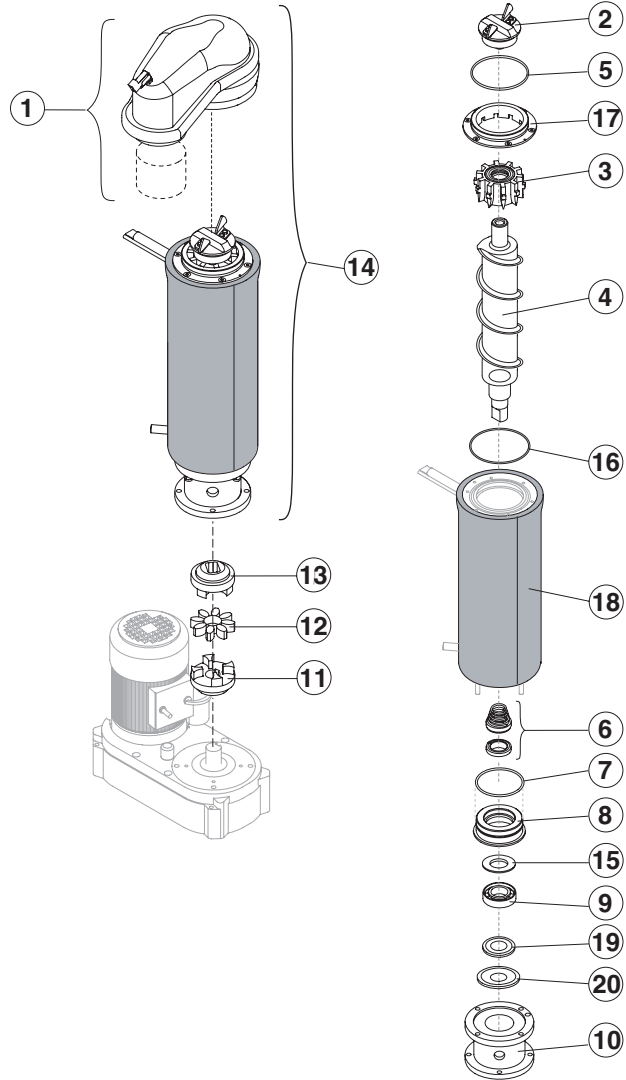


Ref.	Spare Description	Code
1	Compressor	231181
2*	Molecular Drier	141003
3	Air Condenser	201224
4	Sucking Fan	20407
5	Hot gas valve body	201129
6	Hot gas valve coil	231294
7	Expansion Valve	201154
8	Suctin Line	for the spare parts code give us the s/n.

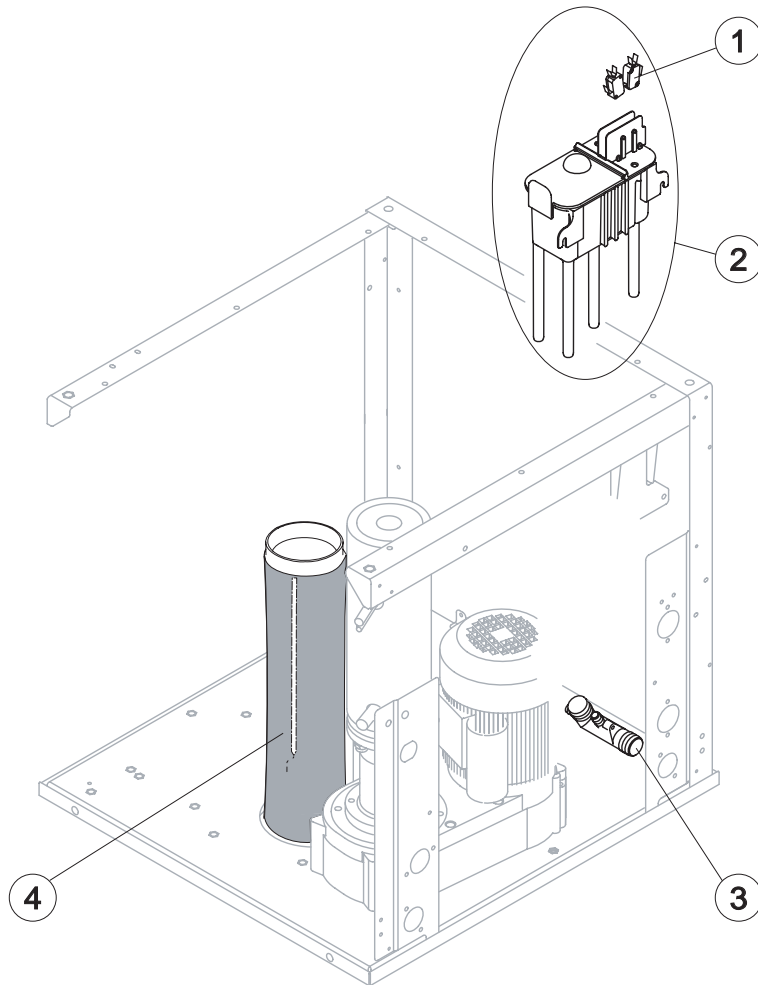


TM 450A HC

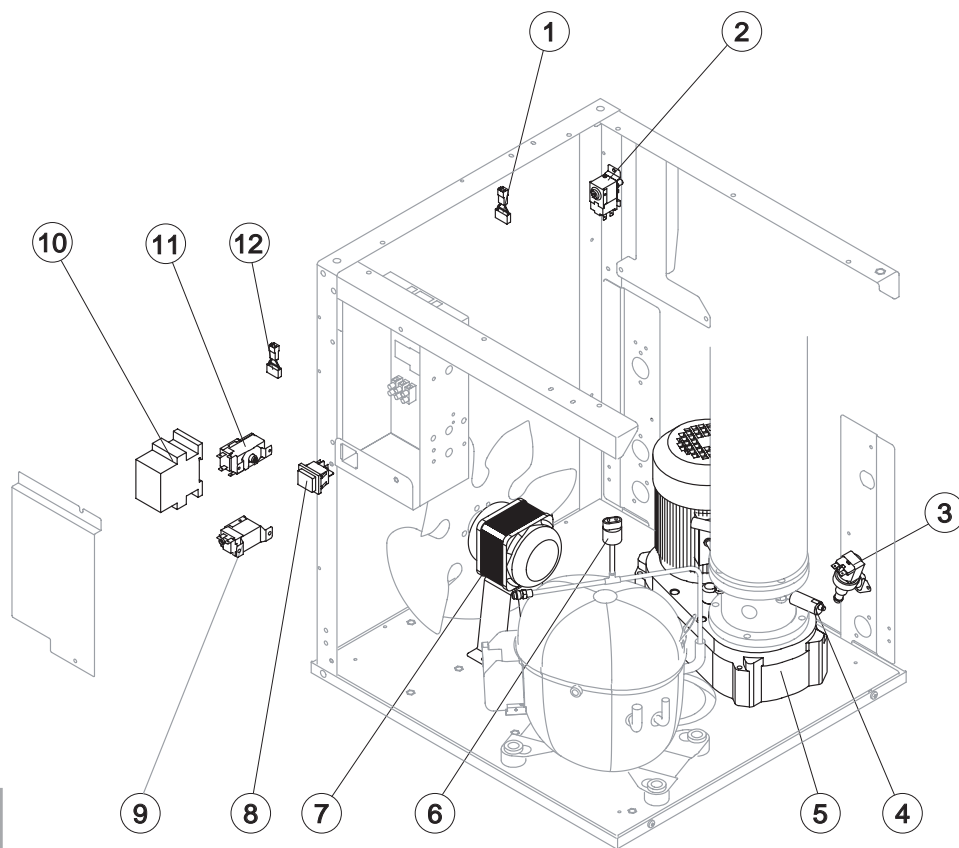
EVAPORATOR



Ref.	Spare Description	Code
1	Ice Exhaust with Micro Assy	C11217
2	Ice Breaker	C20948
3	Extruder with bearings	C201013
4	Auger	201015
5	OR Gasket 4400	20955
6	Ceramic Seal	20643
7	OR Gasket 4312 NBR70	20205
8	Reduction Ring	201016
9	Bearing	201017
10	Flange	Current Version 20644
10	Flange	Till s/n. 889950 R20644
11	Lower Joint	D20493
12	Elastomer	20494
13	Upper Joint	D20642
14	Evaporator Assy	C11219
15	Nilos Ring	201115
16	OR Gasket 3425	201019
17	Extruder cover	201014
18	Insulating Cap	18215
19	Lower Nilos Ring	Till s/n. 889950 R20644
20	Lower Support Ring	Till s/n. 889950 R20644



Ref.	Spare Description	Code
1	Microswitch	23055
2*	Double Switch Basin Assembly	C10686
3	Discharges Manifold	10579
4	Ice Outlet Pipe with Bin bulbo holder	C10747



Ref.	Spare Description	Code
1	Anti Radio Interference Filter	C23457
2	Safety Pressure Switch	231142
3*	1 Way- Water Inlet Valve	23115
4	Rotation Sensor	231028
5	Gearmotor	23638
6	Low pressure safety switch	231124
7*	Fan Motor	23121
8*	Green Light Switch (On-Off)	23327
9*	Pressostato Condensatore	231123
10	Contactor	23147
11*	Bin Thermostat	R231035
12	Condenser Pressure Switch	C23459