



Instructions for use
Mode d'emploi
Cooker hood
Hotte aspirante

CW4936S / WS90AETAE
CW41236S / WS12AETBE

EN Manual

EN 3 - EN 23

FR Notice d'utilisation

FR 3 - FR 23

Pictograms used - Pictogrammes utilisés:



Important information - Important à savoir



Tip - Conseil

CONTENTS

Your cooker hood

Introduction	4
--------------	---

Use

Description	5
Operation	6
Cleaning filters	8

Maintenance

Cleaning	9
----------	---

Installation

General	12
Connection	13
Build-in dimensions	14
Assembly	15

Technical specifications

22

Appendix

Disposal	23
----------	----

YOUR COOKER HOOD

Introduction

On reading these user manuals you will soon become familiar with the features of this appliance. Please read the appliance's safety and maintenance instructions.

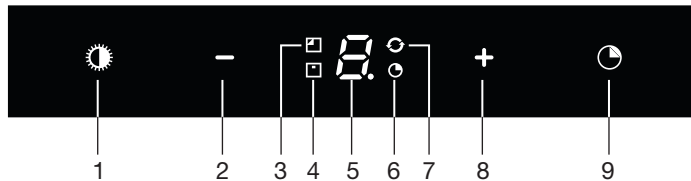


Please retain the operating and installation instructions as these may be useful for future reference.



Please read the separate safety instructions prior to use.

Description



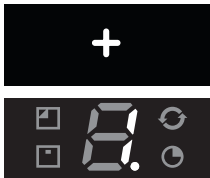
1. Switching on/off and dimming the lighting
2. Reducing air extraction capacity and switching off
3. Cleaning carbon filter indicator
4. Cleaning grease filter indicator
5. Display status
6. Timer function indicator
7. Clean Air function indicator
8. Switching on and increasing air extraction capacity
9. Switching on timer function



Note!

- Prior to activating or deactivating a function, the motor and lighting should be switched off.
- If you have a cooker hood with a carbon filter, you should activate the carbon filter indicator as described in the 'Cleaning filters' paragraph.

Operation



Switching extraction on and off

- Press the '+' button (8).
The cooker hood will switch on at the lowest setting.
- Press the '+' button (8) again to set a higher extraction setting.
Press and hold the '+' button (8) for 2 seconds to select the highest setting (boost) (see switching on intensive setting).
The extraction setting can be set between speeds 1 to 5 or 9 (depending on the model).
- Press the '-' button (2) to select a lower setting.
The extraction setting is indicated in the display (5).
- If the extraction setting is set at 1, you can switch off the cooker hood by quickly pressing and releasing the '-' button (2).
- To switch off the cooker hood from whatever setting press and hold the '-' button (2) for at least 2 seconds.



Alter the number of speed-settings (models with 9 speed-settings)

You can choose between 9 speed-settings (standard) or 5 speed-settings.

- Press and hold the '-' button (2) and '+' button (8) for at least 5 seconds.
This selects the 5 speed-setting option. Press and hold the '-' button (2) and '+' button (8) again for at least 5 seconds to select the 9 speed-setting option.



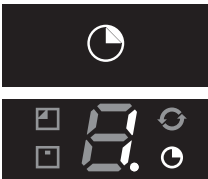
Switching the lighting on and off

- Quickly press and release the lighting button (1).
The light switches on at maximum strength.
- Press and hold the lighting button (1) to set the lighting strength.
- To turn off the light, quickly press and release the lighting button (1) while the light is on.
The lighting changes from maximum to minimum strength and vice versa.



Switch on intensive setting:

- Press and hold the '+' button (8) for approximately 2 seconds. *The intensive setting (setting 'P') is switched on for ten minutes (depending on the model). The display will flash (5) during this period. The original extraction setting will be reactivated after this period.*
- Quickly press and release the '+' (8) button to switch off the intensive setting.



Switching on the timer

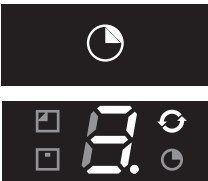
- Press the timer button (9). *The timer indicator (6) will light up. The cooker hood will switch off automatically after 10 minutes.*
- Switch off the timer function by pressing the '-' button '2'.

If the lighting is lit its strength will be reduced automatically by 30-40% once the timer has finished.



Note!

If the intensive setting has been selected you cannot activate the timer function.



Clean Air function

The Clean Air function allows you to freshen the air in your kitchen for a maximum of 12 hours.

- Switch off the cooker hood.
- Press and hold the timer button (9) for approximately 4 seconds. *The cooker hood will switch on automatically for 10 minutes every hour at the lowest speed setting. During extraction the Clean Air indicator will flash (7).*
When the hood switches off after 10 minutes, the Clean Air indicator (7) will be lit continuously until the hood switches on again after 50 minutes.
- Switch off the Clean Air function in the meantime by pressing a random button (except the one for the lighting).

Cleaning filters

Saturation grease and carbon filters

The filters should be replaced or cleaned when the grease filter indicator (4) or the carbon filter indicator (3) are lit.

Grease filter

The grease filter indicator (4) will flash after 30 operating hours.

- The grease filters should then be cleaned.
- Reset the memory by pressing and holding the '-' button (2) until the grease filter indicator (4) stops flashing.



Carbon filter

The carbon filter indicator (3) will flash after 120 operating hours.

- The carbon filter should then be cleaned or replaced.
- Reset the memory by simultaneously pressing and holding the '-' (2) and '+' (8) buttons until the carbon filter indicator (3) stops flashing.



Switching on carbon filter indicator

- Simultaneously press and hold the '+' (8) button and the lighting button (1) until the carbon filter indicator (3) flashes twice.

The carbon filter indicator is activated.



Switching off carbon filter indicator

- Simultaneously press and hold the '+' (8) button and the lighting button (1) until the carbon filter indicator (3) flashes once.

The carbon filter indicator is switched on:

- The carbon filter indicator (3) lights up for 3 seconds.

The carbon filter indicator is switched off:

- The carbon filter indicator (3) flashes for 3 seconds.

Cleaning



Important!

For all maintenance first switch off the mains power to the cooker hood by pulling the plug out of the socket or by turning off the home's master switch. The hood needs to be cleaned regularly, both inside as well as outside (at least in the same frequency as the grease filter cleaning). Do not use abrasive cleaning products. **Do not use alcohol!**

Important!

If the instructions regarding cleaning the appliance or replacing the filters are not followed, this can cause a fire. These instructions should be followed! The manufacturer is not liable for damage to the hood or fire damage resulting from incompetent maintenance or from non-adherence to the above safety instructions.

Cooker hood

Clean the cooker hood with soapy water and a soft cloth. Then wash off with clean water. Do not use aggressive cleaning agents such as caustic soda. The cooker hood finish stays in good condition if it is buffed periodically following the application of wax.

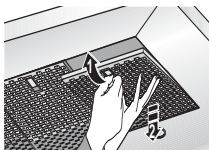


Stainless steel cooker hoods

Do not use scouring pads or other abrasive cleaners on stainless steel cooker hoods. Finish with a non-abrasive, non-polishing agent and buff the stainless steel in the direction of the grain.

Metal grease filters

Metal grease filters should be cleaned once a month (or when indicated by the filter cleaning indicator – if present on the model) using a neutral cleaning agent, either by hand or in the dishwasher on a short, low-temperature program. Place the grease filters with the openings facing downwards in the dishwasher so the water can drain out of the filter. Aluminium grease filters become dull as a result of dishwasher cleaning agents. This is normal and does not effect the working.



Removing cassette filter

- 1 Switch off the motor and lighting.
- 2 Open the access hatch.
- 3 Remove the filter from the hood.

Cleaning

The filters can be cleaned in the dishwasher. Allow the filters to drain well before replacing.

The filters can also be cleaned by hand.

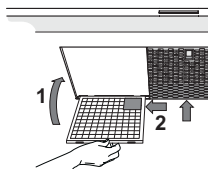
Clean the filters in soapy water with washing up liquid and rinse. Allow the filters to drain well. See page 9 for instructions. The underside of the cooker hood can be cleaned with a mild cleaning agent and a damp cloth. Dry off with a paper towel.

Replacing cassette filter

The filter should be placed with the locking mechanism on the side. Open the filter access hatch. The notches at the side of the filter will then slot in. Hold the access hatch in this position when placing the filters.

- 1 Slot the notches at the back of the filter in the specially designed opening to the side of the cooker hood.
- 2 Tilt the filter upwards.
- 3 Release the filter access hatch. The notches at the back of the filter will extend outwards and slot into the specially designed openings of the cooker hood.

The filter is now in position again.

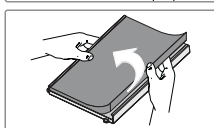
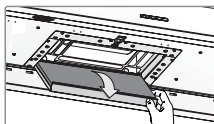
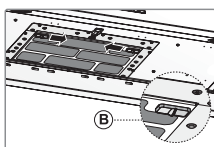


Please note!

Replace the grease filters in their original assembled position (see figure).

Positioning the grease filters correctly ensures the most efficient extraction.

MAINTENANCE



Active carbon filters:

The regenerable active carbon filter must be washed by hand with neutral cleaning products, or in the dishwasher at a maximum temperature of 65 °C (the washing should be done without any plates, dishes, cups, etc. in the machine).

Remove the excess water without damaging the filter, remove the holder and let the filter dry in the oven for at least 15 minutes at a maximum temperature of 100 °C.

To keep the regenerable carbon filter efficient, this action should be repeated every 2 months or when indicated by the filter indicator. The filter must be replaced after no more than 3 years, or if it has been damaged.



It is important that the grease filters and the regenerable active carbon filter are thoroughly dry before repositioning.

Replacing the carbon filter:

The grease filters should first be removed before replacing the carbon filter.

- Press the two 'B' buttons on the carbon filter inwards.
- Tilt the carbon filter downwards to remove it.
- Repeat the steps above in reverse order, to replace the carbon filter.

Operation:

- Using a carbon filter creates more sound than when using the cooker hood with an outlet.
- The carbon filter's operation is optimal at a lower motor speed. You should, therefore, avoid using the boost function.



Attention!

This hood is fitted with LED light! These have to be replaced by a authorized technician. Do not attempt to replace LED light by yourself.

General

This appliance should be connected to the mains power by a registered installer, who knows and applies the correct safety specifications. We hereby declare that our products satisfy the applicable European directives, orders and regulations, as well as the requirements stated in your country.

Important information:

- The distance between the lowest point of the cooker hood and a gas hob should be at least 65 cm. With an electric, ceramic or induction hob this distance should be at least 55 cm.
- Follow the applicable local regulations regarding the ventilation of gas appliances.
- The cooker hood will work better with a short outlet pipe and the fewest bends possible.
- Prior to drilling check that there are no pipes or cables present.
- The cooker hood connection pipe is 120 mm, 125 mm or 150 mm in diameter. Use the largest possible (150 mm) flue of the same diameter.
- The installation material provided with this cooker hood is suitable for reinforced concrete and brick walls. You will need special plugs and screws for certain walls.

Connection

Electrical connection

This appliance is manufactured in class I, it must therefore be connected to the earth system.

Make sure the supply voltage ratings correspond with those stated on the appliance data plate. The connection to the mains is carried out as follows:

BROWN = phase L

BLUE = phase N

YELLOW/GREEN = Earth

During the electrical connection make sure that the electrical socket is equipped with earth connection.

This built in unit has been provided with a power plug. When installing the hood, make sure that this plug remains accessible.

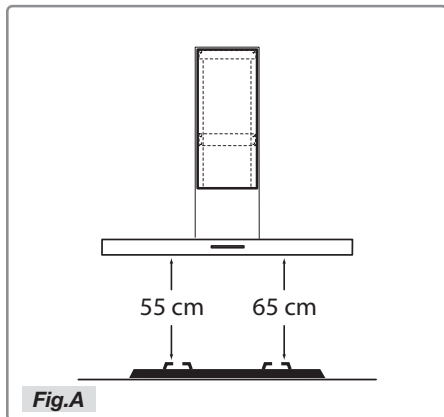


Please note!

If you want to make a fixed connection, make sure that an omnipolar switch with a contact separation of at least 3 mm is fitted in the supply line.

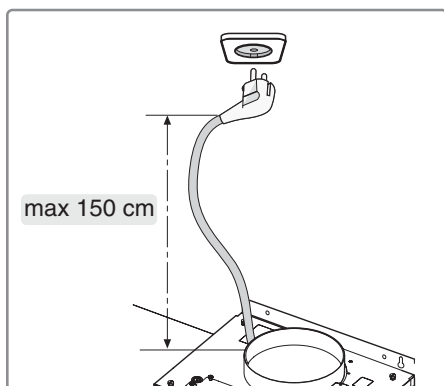
INSTALLATION

Build-in dimensions



Installation height:

The minimum distance between a gas hob's pan supports and the lower edge of the hood should be 65 cm. For use with an electric, ceramic or induction hob this distance should be at least 55 cm.

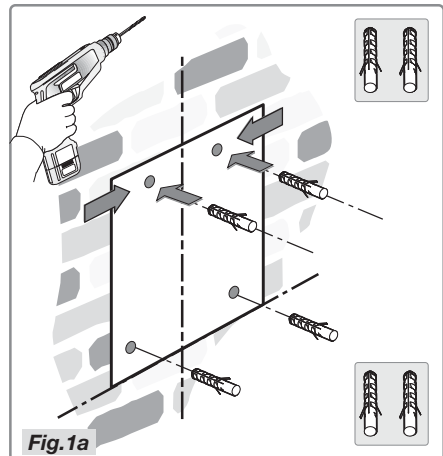
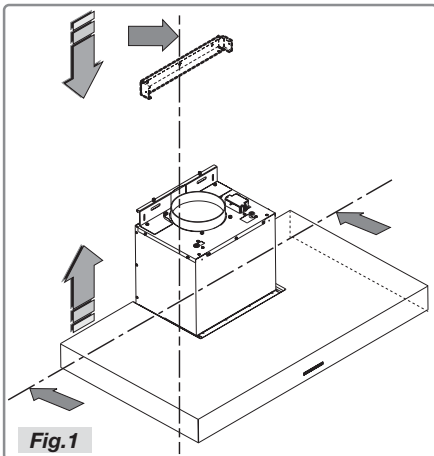


INSTALLATION

Assembly

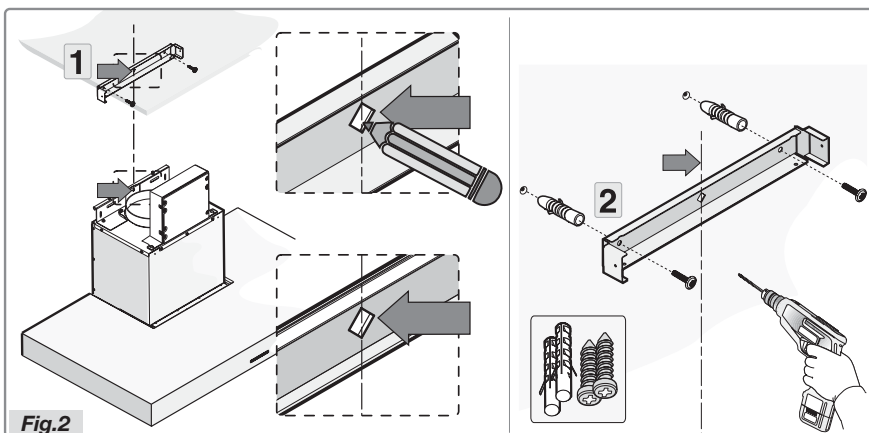


This hood could be heavy, therefore we advise to install this hood with at least two people.



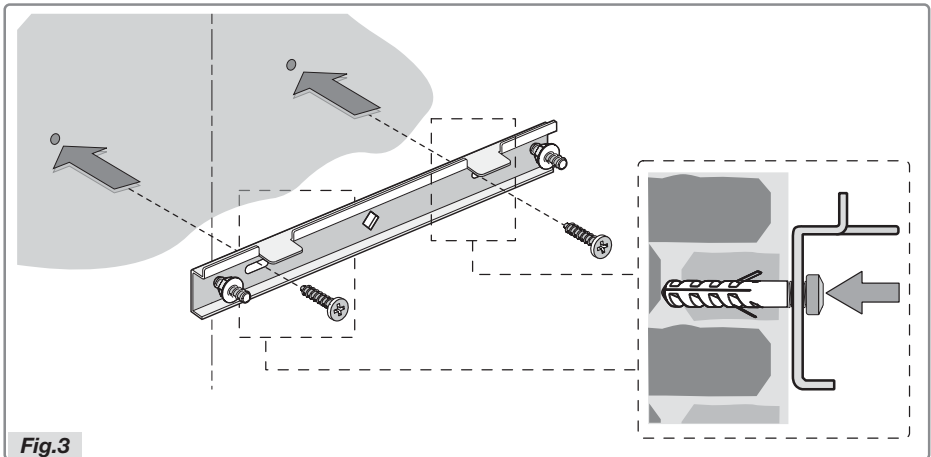
- Outline the underside of the hood on the wall, taking into account the minimum distance between the hood and the hob.

- Place the template on the wall and ensure that the line corresponds to the line previously drawn on the wall. Mark the position of the holes and drill these (Fig. 1a).

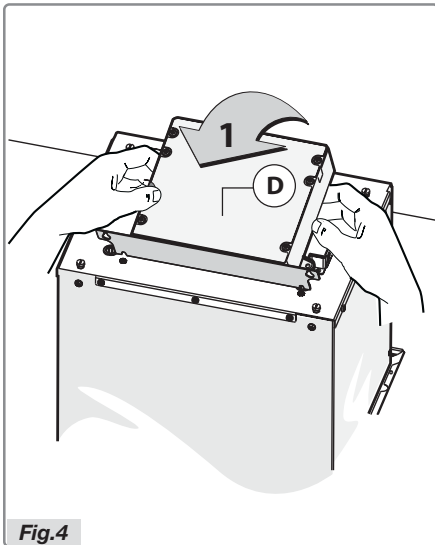


- Position the bracket referring to the dimensions in Figure A and secure this with the supplied screws and plugs (Fig. 2).

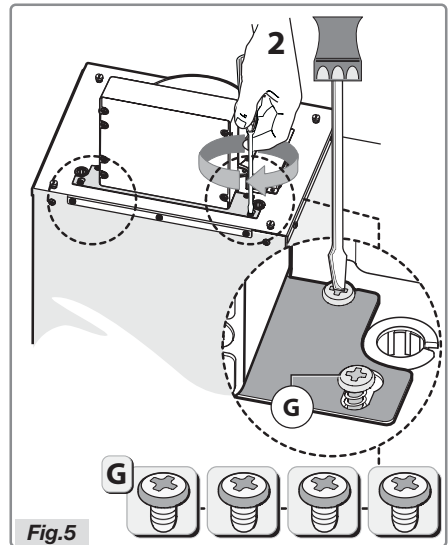
INSTALLATION



- Place the bracket against the wall, align it with the two highest holes. Secure it with two supplied screws. For assembly, screws and expansion plugs should be used that are suitable for the wall type (for example reinforced concrete, plasterboard, etc.). If screws and plugs are supplied with the hood, make sure in advance that these are suitable for the wall on which the hood is to be installed.



- Before installing the cooker hood fit the electric unit upright (Fig.4).



- Secure the bracket with the four screws **G**, as indicated in Figure 5.

INSTALLATION

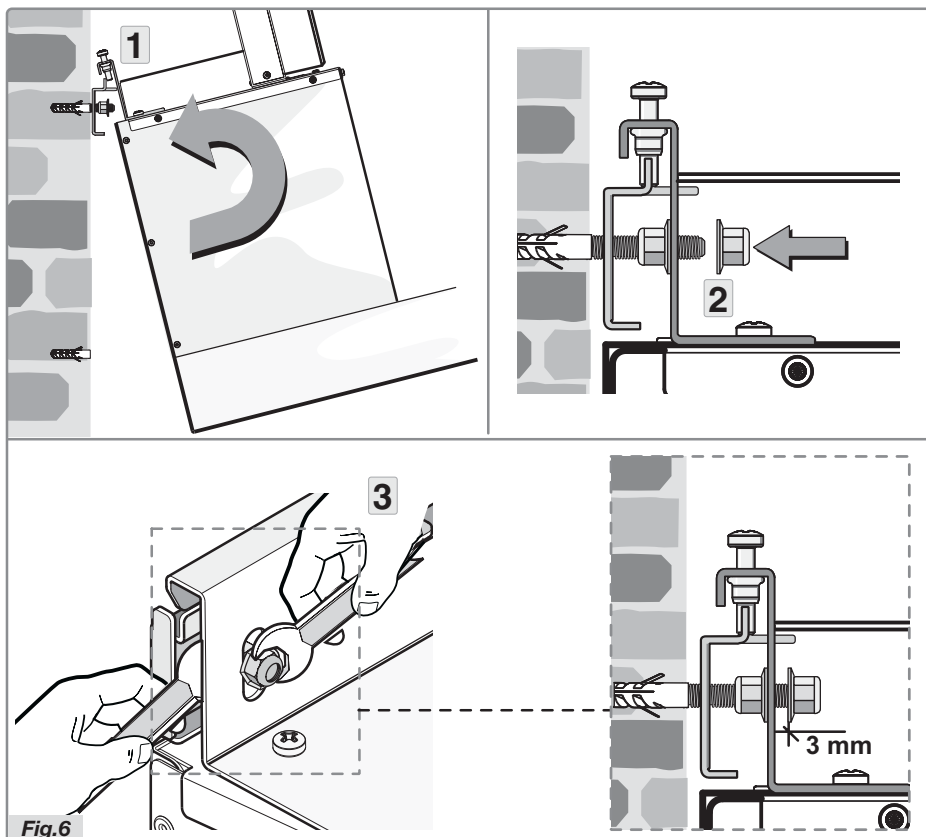


Fig.6

- Tilt the hood slightly and hook it securely to the bracket, as illustrated (Fig.6 step 1).
- Position the cooker hood and secure it to the bracket by applying the nut to the screw (Fig.6 step 2).
- Hold an appropriate spanner in one hand and use a second spanner in the other hand to counter the nut (Fig.6 step 3). The distance between the nut and the bracket should be at least 3 mm.

INSTALLATION

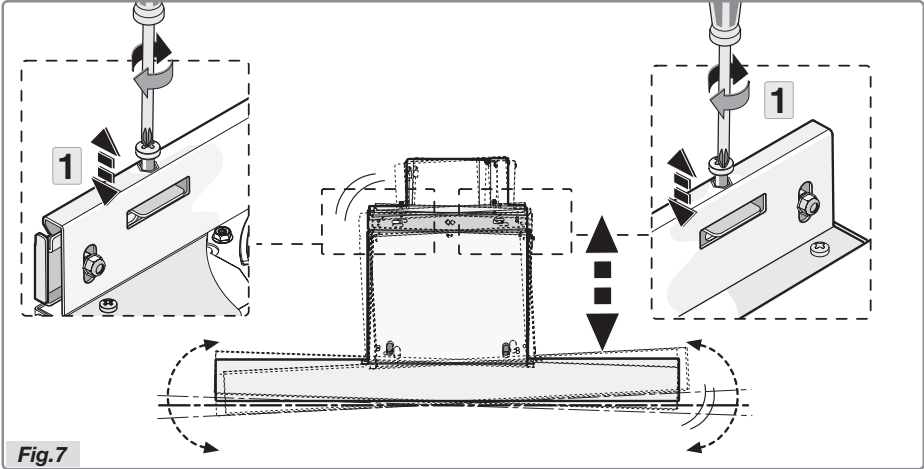


Fig.7

- Align the cooker hood horizontally using the two levelling screws (Figure 7 step 1).

INSTALLATION

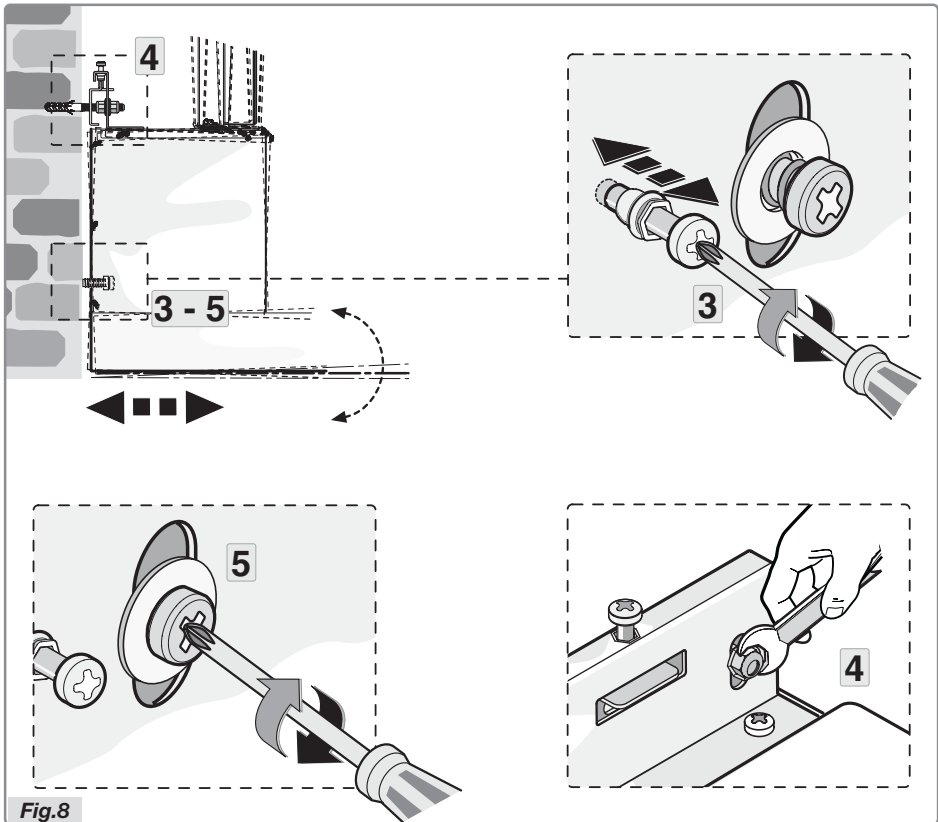
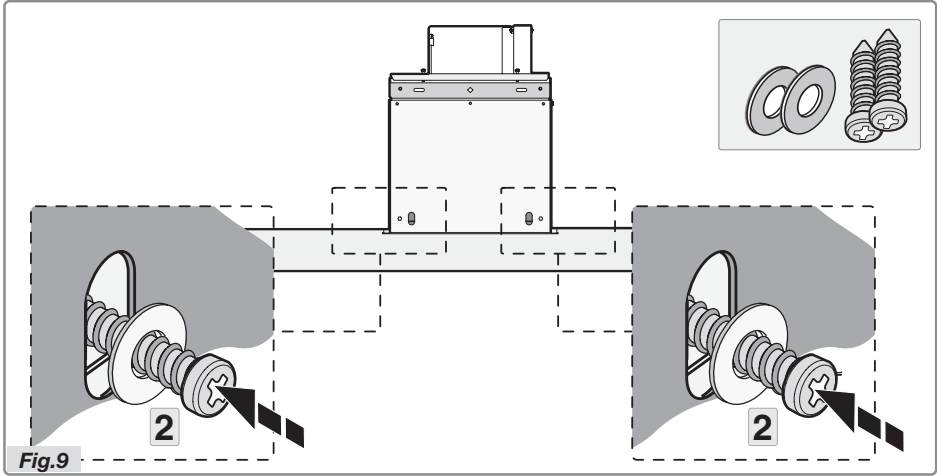


Fig.8

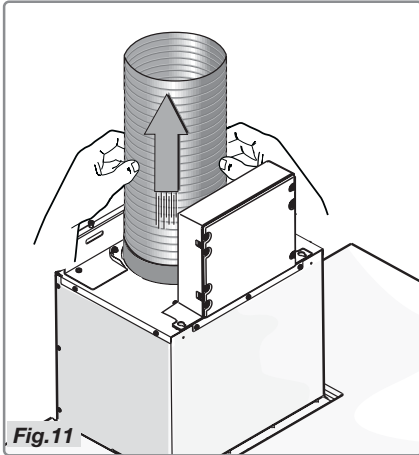
- Align the cooker hood vertically using the two set screws in the motor housing (Fig. 8 step 3).
- After levelling the hood, you should secure the screws completely as indicated in Figure 8 step 4, and do the same with the safety screws (Fig. 8 step 5).

INSTALLATION

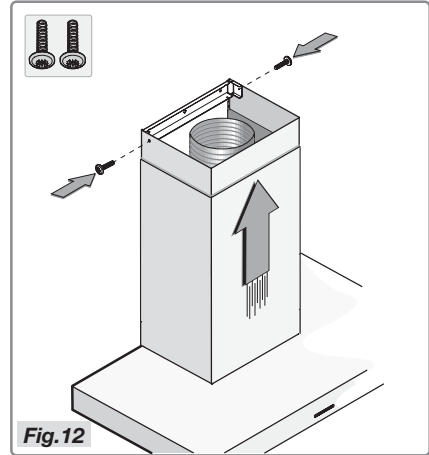


- Secure the cooker hood definitively with the two supplied screws and rings (Figure 9 step 2).

INSTALLATION



- Connect the flange to the air outlet using a tube (Fig.11).



- Place the top shaft in the bottom shaft and put this on the hood's casing. Slide the top shaft against the bracket and secure this with the two screws (Fig.12).
- Put the power plug into the socket and test if the appliance operates correctly.

TECHNICAL SPECIFICATIONS

Hood type	CW4936S	CW41236S
Type / Approval	Wall / WS90AETAE	Wall / WS12AETBE
Control type	Touch control	Touch control
Width	90 cm	120 cm
Supply Voltage, Frequency	220-240 V, 50/60 Hz	220-240 V, 50/60 Hz
Power	238 W	242 W
Power motor	231 W	231 W
Power lights	2 x LED 3.5 W	3 x LED 3.5 W
Level 1 Air flow, Noise, Pressure	266 m ³ /h, 39 dB(A), 169 Pa	266 m ³ /h, 39 dB(A), 169 Pa
Level 2 Air flow, Noise, Pressure	358 m ³ /h, 47 dB(A), 315 Pa	358 m ³ /h, 47 dB(A), 315 Pa
Level 3 Air flow, Noise, Pressure	438 m ³ /h, 50 dB(A), 396 Pa	438 m ³ /h, 50 dB(A), 396 Pa
Level 4 Air flow, Noise, Pressure	491 m ³ /h, 55 dB(A), 420 Pa	491 m ³ /h, 55 dB(A), 420 Pa
Level 5 Air flow, Noise, Pressure	610 m ³ /h, 61 dB(A), 421 Pa	610 m ³ /h, 61 dB(A), 421 Pa
Level 6 Air flow, Noise, Pressure	656 m ³ /h, 63 dB(A), 422 Pa	656 m ³ /h, 63 dB(A), 422 Pa
Level 7 Air flow, Noise, Pressure	790 m ³ /h, 67 dB(A), 424 Pa	790 m ³ /h, 67 dB(A), 424 Pa
Level 8 Air flow, Noise, Pressure	836 m ³ /h, 69 dB(A), 425 Pa	836 m ³ /h, 69 dB(A), 425 Pa
Level 9 Air flow, Noise, Pressure	930 m ³ /h, 71 dB(A), 425 Pa	930 m ³ /h, 71 dB(A), 425 Pa

Disposal

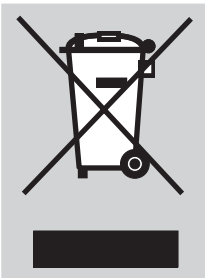
Disposal of packaging and appliance

Sustainable materials have been used during manufacture of this appliance. This appliance must be disposed of responsibly at the end of its life cycle. Ask your local authorities for more information about how to do this.

The appliance packaging is recyclable. The following materials may have been used:

- cardboard;
- polyethylene film (PE);
- CFC-free polystyrene (PS-rigid foam);

Dispose of these materials in a responsible manner and in accordance with government regulations.



The product has been marked with a crossed-out dustbin symbol to remind you of the obligation to dispose of electrical household appliances separately. This means that the appliance may not be included with normal domestic refuse at the end of its service life. The appliance must be taken to a special municipal centre for separated waste collection or to a dealer providing this service.

Separate processing of household appliances prevents the potentially negative consequences for the environment and health that can arise as a result of inappropriate processing. It ensures that the materials of which the appliance is composed can be recovered to obtain significant savings in energy and raw materials.

SOMMAIRE

Votre hotte aspirante

Introduction	4
--------------	---

Utilisation

Description	5
Commandes	6
Nettoyage et remplacement des filtres	8

Entretien

Nettoyage	9
-----------	---

Installation

Généralités	12
Raccordement électrique	13
Dimensions d'encastrement	14
Montage	15

Spécifications techniques

22

Annexe

Mise au rebut	23
---------------	----

VOTRE HOTTE ASPIRANTE

Introduction

Après avoir lu cette notice d'utilisation, vous apprendrez rapidement à maîtriser toutes les possibilités de cet appareil. Lisez les consignes de sécurité et les instructions d'entretien de l'appareil.

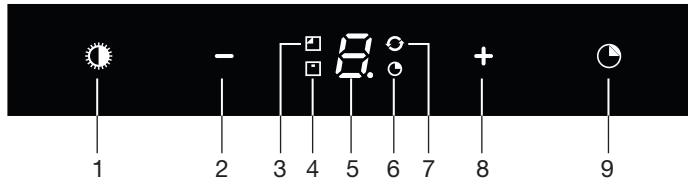


Conservez les instructions pour l'installation et l'utilisation de l'appareil. Elles pourront vous servir de référence dans l'avenir.



Avant l'utilisation, lisez les consignes de sécurité séparées.

Description



1. Touche Éclairage - Marche/Arrêt et réduction de l'intensité
2. Touche Arrêt et Réduction de la vitesse
3. Témoin de saturation du filtre au charbon
4. Témoin de saturation des filtres à graisse
5. Affichage des réglages
6. Témoin de la fonction minuterie
7. Témoin de la fonction 'Air propre' [Clean Air]
8. Touche Marche et Augmentation de la vitesse d'aspiration
9. Touche Minuterie



Attention !

- Avant qu'une fonction soit activée ou désactivée, le moteur et la lampe doivent être éteints.
- Si vous avez acheté une hotte avec filtre au charbon, vous devez activer le témoin de saturation du filtre au charbon tel que mentionné au paragraphe 'Nettoyage des filtres'.

Commandes



Activer et désactiver l'aspiration

- Appuyez sur la touche '+' (8).
La hotte aspirante se met en marche à la puissance la plus basse.
- Appuyez à nouveau sur la touche '+' (8) pour augmenter la vitesse d'aspiration. Effleurez la touche '+' (8) pendant 2 secondes pour choisir directement la vitesse Turbo (voir enclencher la vitesse Turbo).
La vitesse d'aspiration se règle entre 1 et 5 ou 9 (en fonction du modèle).
- Appuyez sur la touche '-' (2) pour choisir une vitesse inférieure.
La vitesse d'aspiration apparaît à l'écran (5).
- Si la vitesse d'aspiration est réglée sur 1, appuyez brièvement sur la touche '-' (2) pour éteindre la hotte.
- Appuyez pendant au moins 2 secondes sur la touche '-' (2) pour éteindre la hotte, quelle que soit la vitesse d'aspiration.

Modifier le nombre de vitesses disponibles (modèles à 9 vitesses)

Vous pouvez choisir entre 9 vitesses (standard) ou 5 vitesses.

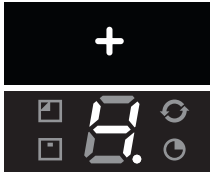
- Appuyez simultanément pendant au moins 5 secondes sur la touche '-' (2) et la touche '+' (8).
Le fonctionnement à 5 vitesses est sélectionné. Appuyez à nouveau pendant au moins 5 secondes sur la touche '-' (2) et la touche '+' (8) pour sélectionner le fonctionnement à 9 vitesses.



Allumage et extinction de l'éclairage

- Appuyez brièvement sur la touche de l'éclairage (1).
L'éclairage s'allume alors à sa puissance maximum.
- Maintenez enfoncée la touche de l'éclairage (1) pour régler l'intensité de la lumière.
- Pour éteindre l'éclairage, appuyez et relâchez rapidement la touche d'éclairage (1) quand l'éclairage est allumé.
La lumière passe de l'intensité maximum à l'intensité minimum.





Enclencher la vitesse d'aspiration Turbo :

- Appuyez environ 2 secondes sur la touche '+' (8).
La vitesse Turbo (réglage 'P') est enclenchée pendant dix minutes (en fonction du modèle). Pendant cette période, l'affichage clignote (5). Après cette période, la vitesse d'aspiration réglée initialement est réactivée.
- Pour désactiver la vitesse Turbo, effleurez brièvement la touche '+' (8).



Activation de la minuterie

- Appuyez sur la touche minuterie (9).
*Le témoin de la minuterie (6) s'allume.
La hotte s'arrête automatiquement après 10 minutes.*
- Pour désactiver la fonction minuterie, appuyez encore une fois sur la touche minuterie (9) ou arrêtez la hotte à l'aide de la touche '-' (2).
L'écran indique la vitesse enclenchée et le temps restant.

Si la lumière est allumée, son intensité est automatiquement réduite de 30-40% lorsque la minuterie s'arrête.



Attention !

Lorsque la vitesse Turbo est sélectionnée, il n'est pas possible d'activer la fonction minuterie.

Fonction Air propre [Clean Air]

La fonction Air propre [Clean Air] vous permet de renouveler l'air dans la cuisine pendant une durée maximum de 12 heures.

- Éteignez la hotte.
- Appuyez sur la touche minuterie (9) pendant environ 4 secondes.
*La hotte fonctionne automatiquement pendant 10 minutes toutes les heures, à la vitesse la plus basse. Pendant l'aspiration, le témoin Clean air (7) clignote.
Quand, après 10 minutes, la hotte s'arrête, le témoin Clean air (7) reste allumé jusqu'à ce que la hotte se remette en marche au bout de 50 minutes.*
- Pour désactiver la fonction Air propre, appuyez, durant l'intermède, sur n'importe quelle touche (sauf la touche de l'éclairage).



Nettoyage des filtres

Saturation des filtres à graisse et des filtres au charbon

Quand le témoin du filtre à graisse (4) ou du filtre au charbon (3) est allumé, cela signifie que les filtres doivent être remplacés ou nettoyés.

Filtre à graisse



Après 30 heures de fonctionnement, le témoin (4) du filtre à graisse se met à clignoter.

- Dans ce cas, nettoyez les filtres à graisse.
- Réinitialisez la mémoire en appuyant sans interruption sur la touche '-' (2), jusqu'à ce que le témoin (4) du filtre à graisse cesse de clignoter.



Filtre au charbon

Après 120 heures de fonctionnement, le témoin (3) du filtre au charbon se met à clignoter.

- Nettoyez ou remplacez le filtre au charbon.
- Réinitialisez la mémoire en appuyant en même temps sans interruption sur les touches '-' (2) et '+' (8), jusqu'à ce que le témoin (3) du filtre au charbon cesse de clignoter.

Activer le témoin de saturation du filtre au charbon

- Appuyez en même temps sans interruption sur la touche '+' (8) et la touche Éclairage (1) jusqu'à ce que le témoin (3) du filtre au charbon clignote deux fois.

Le témoin du filtre au charbon est activé.

Désactiver le témoin de saturation du filtre au charbon

- Appuyez en même temps sans interruption sur la touche '+' (8) et la touche Éclairage (1) jusqu'à ce que le témoin (3) du filtre au charbon clignote une fois.

Si le témoin de saturation du filtre au charbon est activé :

- Le témoin du filtre au charbon (3) reste allumé pendant 3 secondes.

Si le témoin de saturation du filtre au charbon est désactivé :

- Le témoin du filtre au charbon (3) clignote pendant 3 secondes.



Nettoyage



Attention !

Avant tout entretien, déconnectez l'alimentation électrique de la hotte, soit en débranchant la fiche, soit en coupant le courant au niveau du disjoncteur. La hotte doit être nettoyée régulièrement, tant à l'intérieur qu'à l'extérieur (au moins aussi souvent que les filtres à graisse). N'utilisez aucun produit abrasif. **N'utilisez pas d'alcool !**

Attention !

Si vous ne respectez pas les instructions concernant le nettoyage de l'appareil ou le nettoyage ou remplacement des filtres, vous risquez un incendie. Respectez scrupuleusement ces instructions ! Le fabricant décline toute responsabilité en cas de dommages à la hotte ou d'incendie qui résulteraient d'un mauvais entretien ou du non respect des consignes de sécurité.

Hotte aspirante

Nettoyez la hotte à l'eau savonneuse, avec un chiffon doux. Rincez à l'eau claire. N'utilisez pas de produits d'entretien agressifs comme la soude caustique. La laque de votre hotte restera rutilante si vous la lustrez de temps en temps.

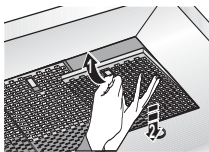


Hottes en inox

Les hottes en inox ne doivent pas être nettoyées au moyen d'éponges métalliques ni de produits récurants ou abrasifs. Utilisez un produit non récurant, non abrasif, et frottez dans le sens de la structure de l'inox.

Filtres à graisse en métal

Les filtres métalliques doivent être nettoyés une fois par mois (ou lorsque le témoin de saturation des filtres - si existant - l'indique) avec un détergent neutre, soit à la main, soit au lave-vaisselle, à basse température et en utilisant un programme court. Les filtres à graisse doivent être placés dans le lave-vaisselle avec les ouvertures vers le bas, afin que l'eau puisse s'en écouler. Si les filtres à graisse en aluminium sont mis au lave-vaisselle, les produits de nettoyage les ternissent. Cet effet est normal et n'a pas d'impact sur leur fonctionnement.



Enlever la cassette-filtre

- 1 Coupez le moteur et éteignez la lumière.
- 2 Ouvrez la fermeture/la sûreté.
- 3 Retirez le filtre de la hotte.

Nettoyage

Vous pouvez nettoyer les filtres au lave-vaisselle. Faites égoutter convenablement les filtres avant de les remettre en place.

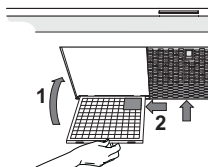
Vous pouvez également nettoyer les filtres à la main. Nettoyez les filtres à l'eau savonneuse, puis rincez-les. Voir page 9 pour des instructions. Faites égoutter convenablement les filtres. Pour nettoyer la partie inférieure de la hotte, utilisez un chiffon humide imprégné d'un détergent doux. Essuyez-la ensuite avec du papier essuie-tout ou un chiffon sec.

Remettre en place la cassette-filtre

Placez le filtre dans la hotte avec le dispositif de fermeture sur le côté. Ouvrez le dispositif de fermeture. De cette façon, les ergots latéraux du filtre sont situés vers l'intérieur. En plaçant les filtres, maintenez le dispositif de fermeture dans cette position.

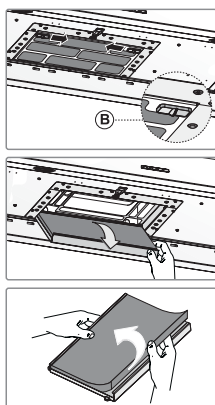
- 1 Placez les ergots à l'arrière du filtre, dans les ouvertures latérales de la hotte prévues à cet effet.
- 2 Faites basculer le filtre vers le haut.
- 3 Lâchez le dispositif de fermeture. Les ergots situés à l'avant du filtre sont alors tournés vers l'extérieur et s'insèrent dans les ouvertures de la hotte prévues à cet effet.

À présent, le filtre est à nouveau en place.



Attention !

Remplacez les filtres à graisse dans leur position initiale (voir figure). Une position correcte des filtres à graisse garantit une aspiration optimale.



Filters au charbon actif :

Le filtre au charbon actif régénérant doit être nettoyé à la main avec des détergents neutres doux, ou au lave-vaisselle à une température maximum de 65 °C (ne pas laver de vaisselle en même temps).

Essorez le filtre sans l'endommager, enlevez le support et laissez le filtre sécher dans le four pendant au moins 15 minutes, à une température maximum de 100 °C.

Pour une action efficace du filtre au charbon régénérant à chaque utilisation, cette opération doit se répéter tous les 2 mois ou lorsque le témoin du filtre l'indique. Le filtre doit être remplacé après 3 ans au plus tard, ou lorsqu'il est endommagé.



Il est important que les filtres à graisse et le filtre au charbon actif régénérant soient secs avant d'être remis en place.

Remplacement du filtre au charbon :

Pour remplacer le filtre au charbon, retirez d'abord les filtres anti-graisses de la hotte.

- Faites glisser les deux petites boutons 'B' du filtre au charbon vers l'intérieur.
- Faites basculer le filtre au charbon vers le bas pour le retirer.
- Répétez les étapes ci-dessus dans l'ordre inverse pour remplacer le filtre à charbon.

L'action :

- L'utilisation d'un filtre au charbon entraîne un niveau sonore plus élevé que l'utilisation d'une hotte avec tuyau d'évacuation.
- L'action d'un filtre au charbon est optimale lorsque la vitesse du moteur est basse. Il est donc recommandé de ne pas utiliser la fonction d'accélération.



Attention !

Cette hotte est équipée de lampes à DEL ! Il faut les faire remplacer par un technicien agréé. N'essayez pas de remplacer les lampes à DEL vous-même.



Généralités

Le raccordement de cet appareil au réseau d'alimentation électrique doit être confié à un installateur autorisé qui connaît et applique les règlements de sécurité pertinents.

Nous déclarons, par la présente, que nos produits satisfont aux directives, décisions et régulations européennes en vigueur ainsi qu'aux exigences relatives à votre pays.

Important à savoir :

- La distance entre le point le plus bas de la hotte et une table de cuisson à gaz doit être de 65 cm au minimum. Dans le cas d'une table de cuisson électrique, vitrocéramique ou à induction, la distance minimale est de 55 cm.
- Respectez les règlements locaux et nationaux applicables à la ventilation des appareils à gaz.
- Plus le tuyau d'évacuation est court et rectiligne, plus la hotte sera efficace.
- Avant de commencer à percer, vérifiez qu'aucune autre conduite ne passe à cet endroit.
- Le tuyau de raccordement de la hotte a un diamètre de 120, 125 ou 150 mm. Utilisez une gaine d'évacuation aussi large que possible (150 mm), ayant un diamètre identique.
- Le matériel d'installation livré avec cette hotte convient aux murs en béton renforcé ou en briques. Pour d'autres matériaux, vous aurez besoin de chevilles et vis spéciales.

Raccordement électrique

Branchement électrique

Cet appareil est construit en classe I, par conséquent, il doit être raccordé à la prise de terre.

Il faut s'assurer que la tension du réseau correspond à la valeur indiquée à la plaque signalétique de la hotte. La connection avec le réseau électrique doit être exécutée comme suit:

BRUN = Phase L

BLEU = Phase N

JAUNE/VERT = Terre

Dans l'opération de raccordement électrique s'assurer que la prise de courant est munie d'une connexion à la terre.

Cette hotte aspirante est équipée d'une fiche de raccordement. Installez la hotte de manière à ce que la prise soit accessible.

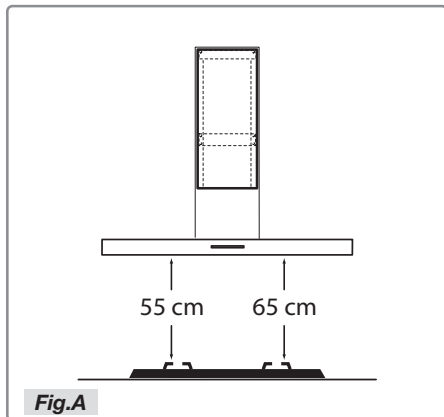
Attention :

Si vous décidez de réaliser une connexion électrique permanente, la ligne alimentant l'appareil devra comporter un coupe-circuit omnipolaire dont les contacts en position ouverte sont séparés par une distance de 3 mm au moins.



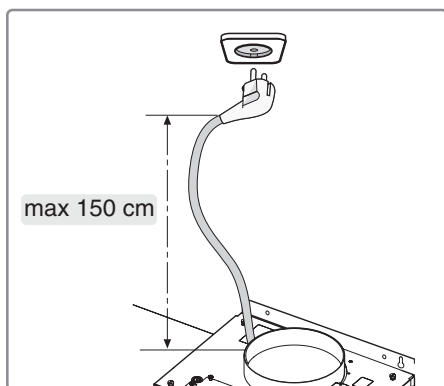
INSTALLATION

Dimensions d'encastrement



Hauteur de fixation :

La distance minimum entre les supports de casseroles de la cuisinière à gaz et le bord inférieur de la hotte est de 65 cm. Dans le cas d'une cuisinière électrique, vitrocéramique ou à induction, la distance minimale est de 55 cm.



INSTALLATION

Montage



Cette hotte peut être lourde, nous vous conseillons donc de l'installer avec l'aide d'au moins une autre personne.

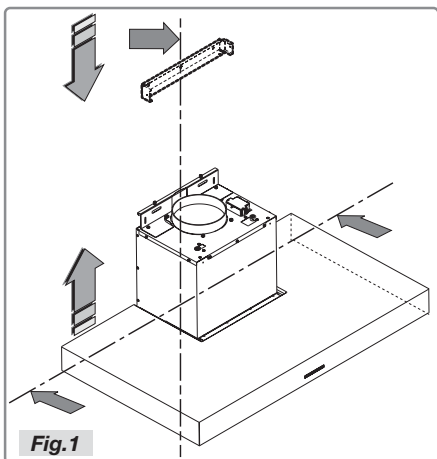


Fig.1

- Tracez sur le mur une ligne indiquant la position du bord inférieur de la hotte, en tenant compte de la distance minimale entre la hotte et la cuisinière.

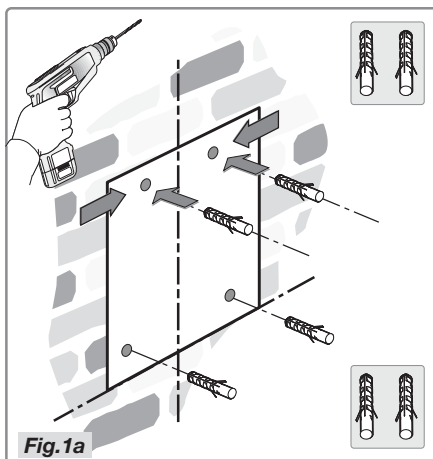


Fig.1a

- Placez le gabarit sur le mur en l'alignant sur la marque tracée précédemment. Dessinez la position des trous et percez-les (Fig.1a).

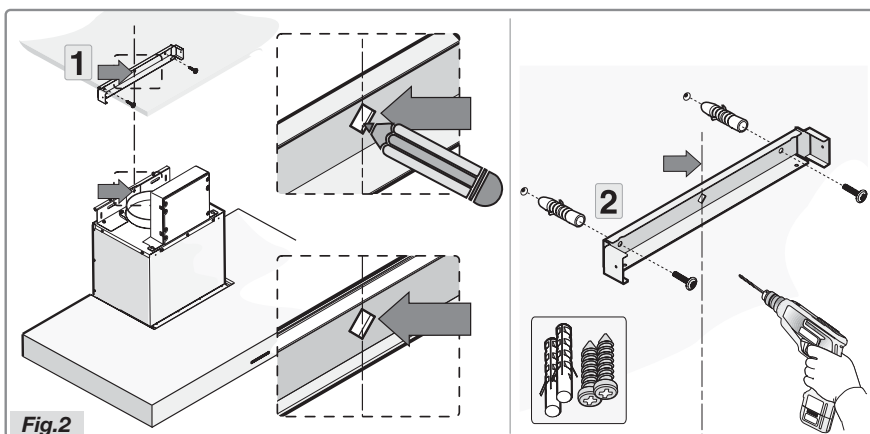


Fig.2

- Positionnez le collier en tenant compte des dimensions indiquées à la figure A et mettez-le en place au moyen des vis et chevilles fournies avec l'appareil (Fig. 2).

INSTALLATION

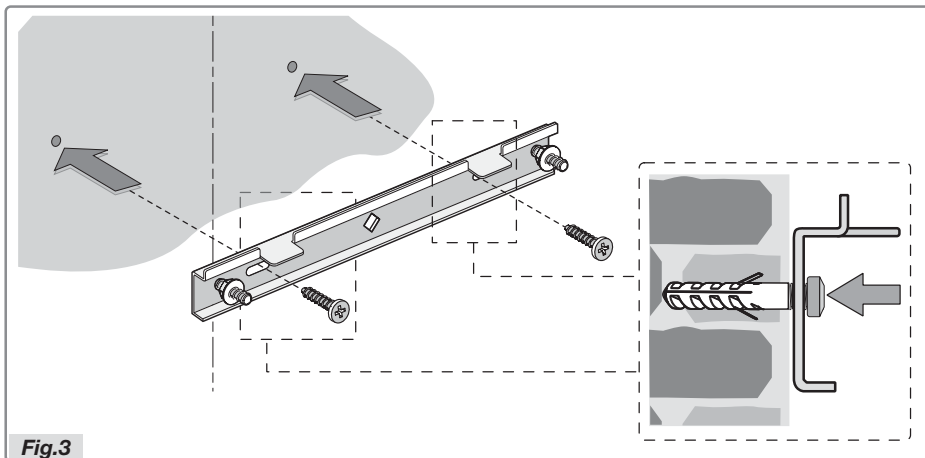


Fig.3

- Placez la plaque contre le mur, alignez-la avec les deux trous supérieurs. Fixez-la avec deux vis fournies).

Pour l'installation, utilisez des vis et chevilles d'expansion adaptées au type de paroi utilisé (par ex.: béton armé, plaque de plâtre, etc.). Si les vis et les chevilles sont fournies avec la hotte, assurez-vous à l'avance qu'elles sont adaptées au type de paroi sur lequel la hotte doit être fixée.

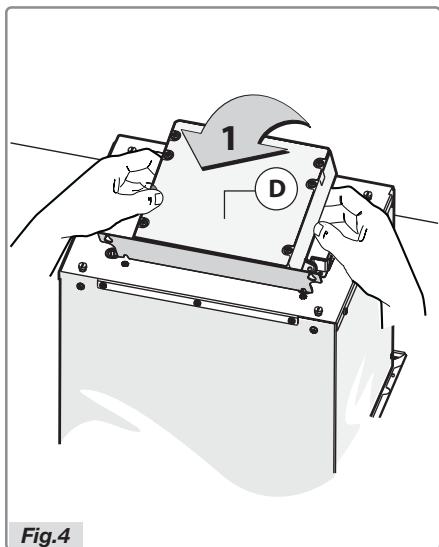


Fig.4

- Avant d'installer la hotte, placez l'unité électrique verticalement (Fig.4).

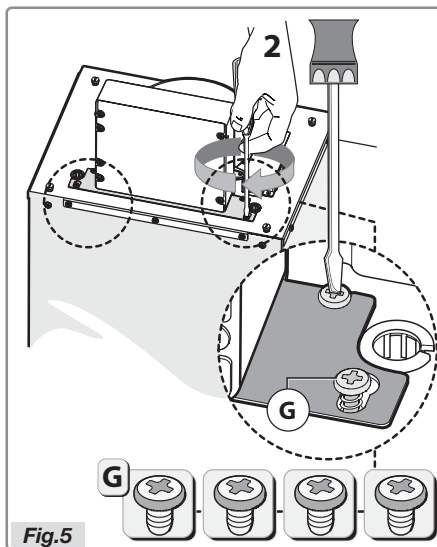


Fig.5

- Assemblez l'élément de fixation avec les quatre vis **G**, comme indiqué à la figure 5.

INSTALLATION

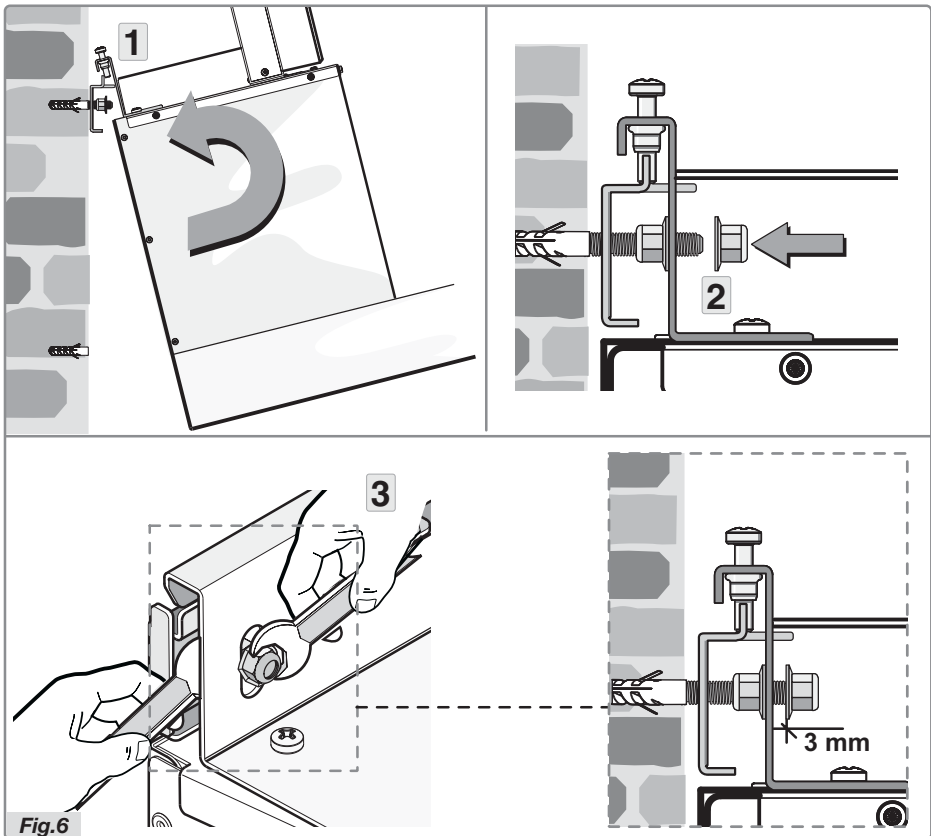


Fig.6

- Faites basculer légèrement la hotte et accrochez-la à l'élément de fixation, comme indiqué (Fig.6, étape 1).
- Positionnez la hotte et assemblez-la à l'élément de fixation en vissant l'écrou sur la vis sans tête (Fig.6 étape 2).
- Tenez une clé à molette appropriée dans une main pour maintenir le contre-écrou en place et, de l'autre main, tournez l'écrou dans l'autre sens avec une deuxième clé (Fig.6 étape 3). La

INSTALLATION

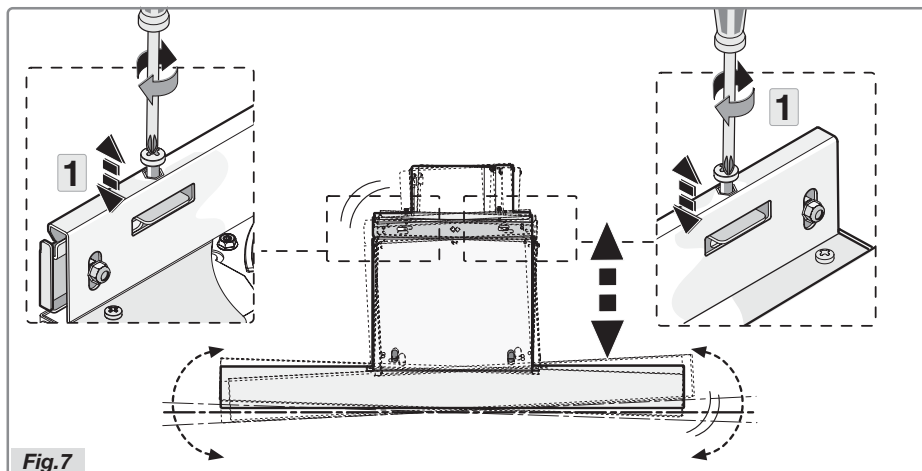


Fig.7

distance entre l'écrou et l'élément de fixation doit être d'au moins 3 mm.

- Positionnez la hotte à l'horizontale en tournant les vis de nivellement (figure 7 étape 1.).

INSTALLATION

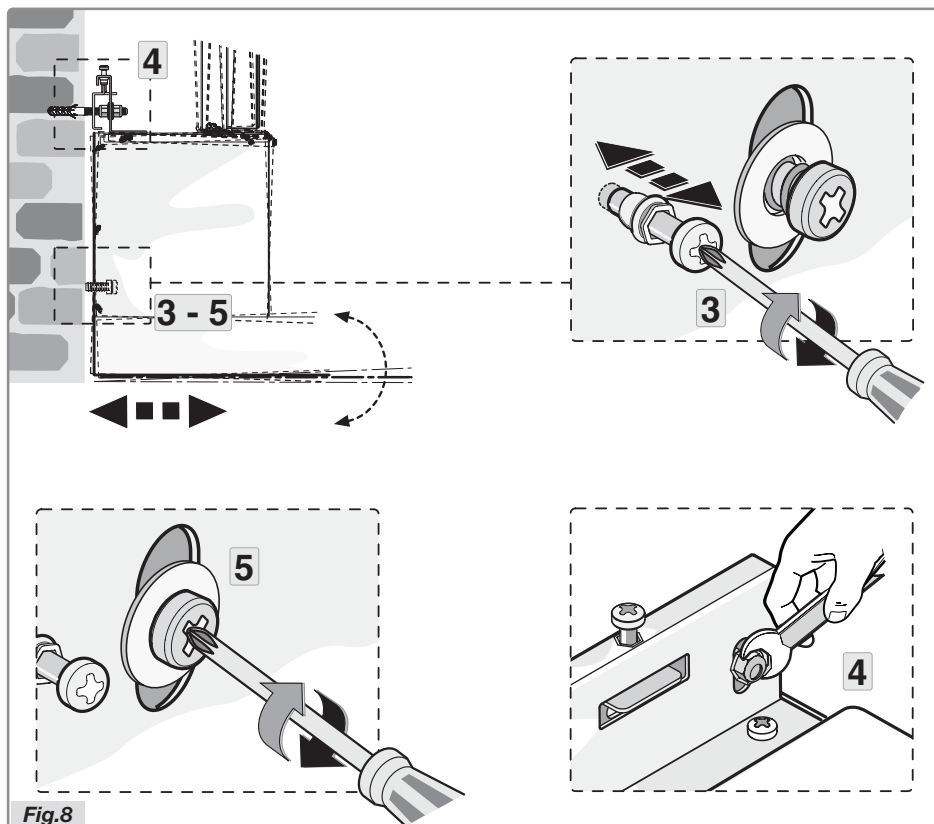
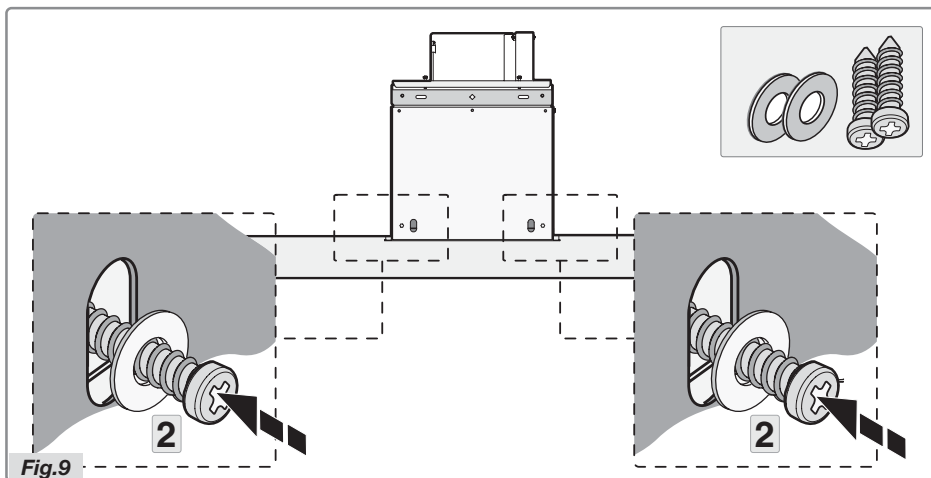


Fig.8

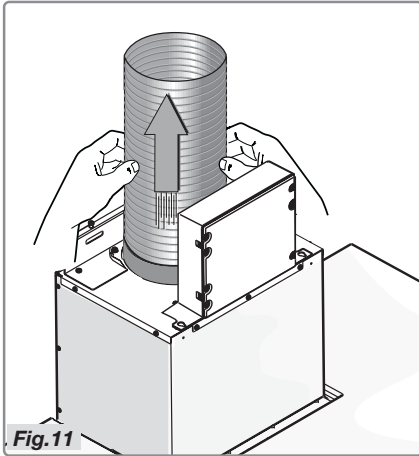
- Positionnez la hotte bien à la verticale en tournant les deux vis de réglage se trouvant sur le boîtier du moteur (Fig. 8 étape 3).
- Après avoir mis la hotte à niveau dans le sens horizontal et le sens vertical, serrez les écrous à fond, tel qu'indiqué à la figure 8 étape 4, et répétez l'opération avec les vis de sécurité (Fig. 8 étape 5).

INSTALLATION

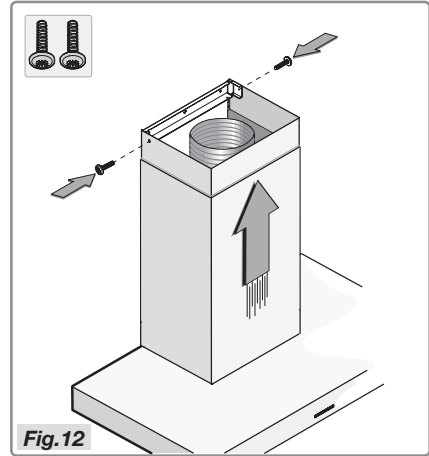


- Fixez définitivement la hotte en utilisant les deux vis et les deux rondelles fournies avec l'appareil (figure 9 étape 2).

INSTALLATION



- Fixez la gaine d'évacuation à la bride de raccordement (Fig.11).



- Insérez la partie supérieure de la cheminée dans la partie inférieure et placez l'ensemble sur la carrosserie de la hotte. Faites glisser la partie supérieure jusqu'à ce qu'elle se trouve contre l'élément de fixation et assemblez-la avec les deux vis (Fig.12).
- 1. Branchez le cordon d'alimentation dans la prise et vérifiez si l'appareil fonctionne correctement.

SPÉCIFICATIONS TECHNIQUES

Hotte aspirante type	CW4936S	CW41236S
Type / Approbation	Mural / WS90AETAE	Mural / WS12AETBE
Commande	Tactile	Tactile
Largeur	90 cm	120 cm
Alimentation		
Tension, Fréquence	220-240 V, 50/60 Hz	220-240 V, 50/60 Hz
Puissance	238 W	242 W
Puissance moteur	231 W	231 W
Éclairage	2 x LED 3.5 W	3 x LED 3.5 W
Niveau 1		
débit d'air, niveau sonore, pression	266 m ³ /h, 39 dB(A), 169 Pa	266 m ³ /h, 39 dB(A), 169 Pa
Niveau 2		
débit d'air, niveau sonore, pression	358 m ³ /h, 47 dB(A), 315 Pa	358 m ³ /h, 47 dB(A), 315 Pa
Niveau 3		
débit d'air, niveau sonore, pression	438 m ³ /h, 50 dB(A), 396 Pa	438 m ³ /h, 50 dB(A), 396 Pa
Niveau 4		
débit d'air, niveau sonore, pression	491 m ³ /h, 55 dB(A), 420 Pa	491 m ³ /h, 55 dB(A), 420 Pa
Niveau 5		
débit d'air, niveau sonore, pression	610 m ³ /h, 61 dB(A), 421 Pa	610 m ³ /h, 61 dB(A), 421 Pa
Niveau 6		
débit d'air, niveau sonore, pression	656 m ³ /h, 63 dB(A), 422 Pa	656 m ³ /h, 63 dB(A), 422 Pa
Niveau 7		
débit d'air, niveau sonore, pression	790 m ³ /h, 67 dB(A), 424 Pa	790 m ³ /h, 67 dB(A), 424 Pa
Niveau 8		
débit d'air, niveau sonore, pression	836 m ³ /h, 69 dB(A), 425 Pa	836 m ³ /h, 69 dB(A), 425 Pa
Niveau 9		
débit d'air, niveau sonore, pression	930 m ³ /h, 71 dB(A), 425 Pa	930 m ³ /h, 71 dB(A), 425 Pa

Mise au rebut

Que faire de l'emballage et de l'appareil utilisé

Des matériaux durables ont été utilisés pour la fabrication de cet appareil. Cet appareil doit être mis au rebut de manière responsable à la fin de son cycle de service. Les pouvoirs publics peuvent vous fournir des informations à ce sujet.

L'emballage de l'appareil est recyclable. Peuvent être utilisés :

- carton ;
- feuille de polyéthylène (PE) ;
- polystyrène exempt de CFC (mousse rigide PS).

Ces matériaux doivent être mis au rebut de façon appropriée et conformément aux dispositions réglementaires.



Le symbole de la poubelle barrée figure sur le produit ou sur son emballage en application de la directive européenne 2002/96/CE sur les Déchets d'Équipement Électrique et Électronique (DEEE). Cette directive sert de règlement cadre à la reprise, au recyclage et à la valorisation des appareils ménagers usagés dans toute l'Europe. Ce produit ne peut donc pas être jeté avec les ordures ménagères, mais doit faire l'objet d'une collecte sélective. Lorsque vous ne l'utiliserez plus, remettez-le à un service de ramassage spécialisé ou à une déchèterie - municipale ou privée - qui traite les DEEE.

La collecte sélective des appareils électroménagers évite d'aggraver l'impact négatif des déchets sur l'environnement et la santé publique. Leur traitement permet de recycler les matériaux utilisés pour les fabriquer, ce qui représente des économies considérables en termes de matières premières et d'énergie.

 **ASKO**



545738