



CB 1265

LIST OF THE EXPLODED VIEWS



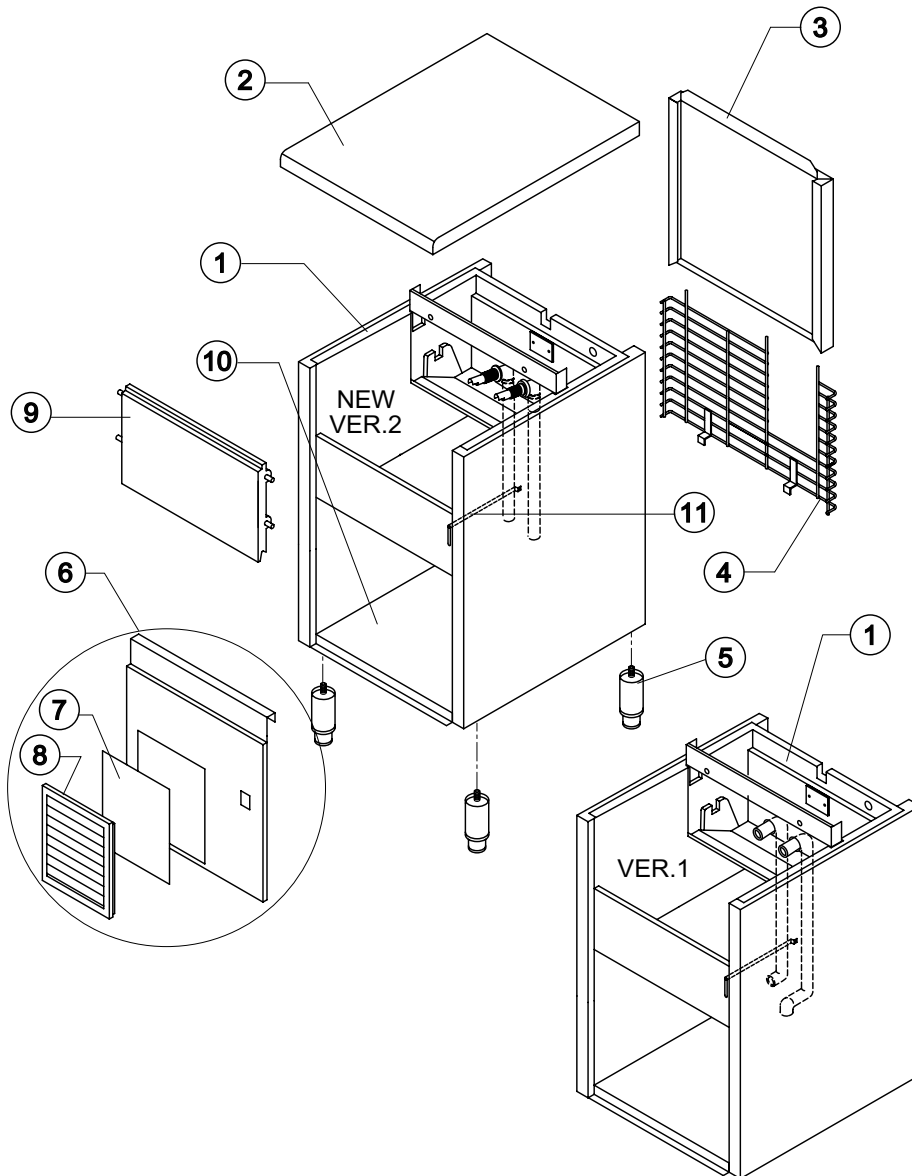
SHELL ASSY

COOLING SYSTEM

HYDRAULIC CIRCUIT

ELECTRIC PARTS

Rev. 6 - 10/09/2010



Rev. 6 - 10/09/2010

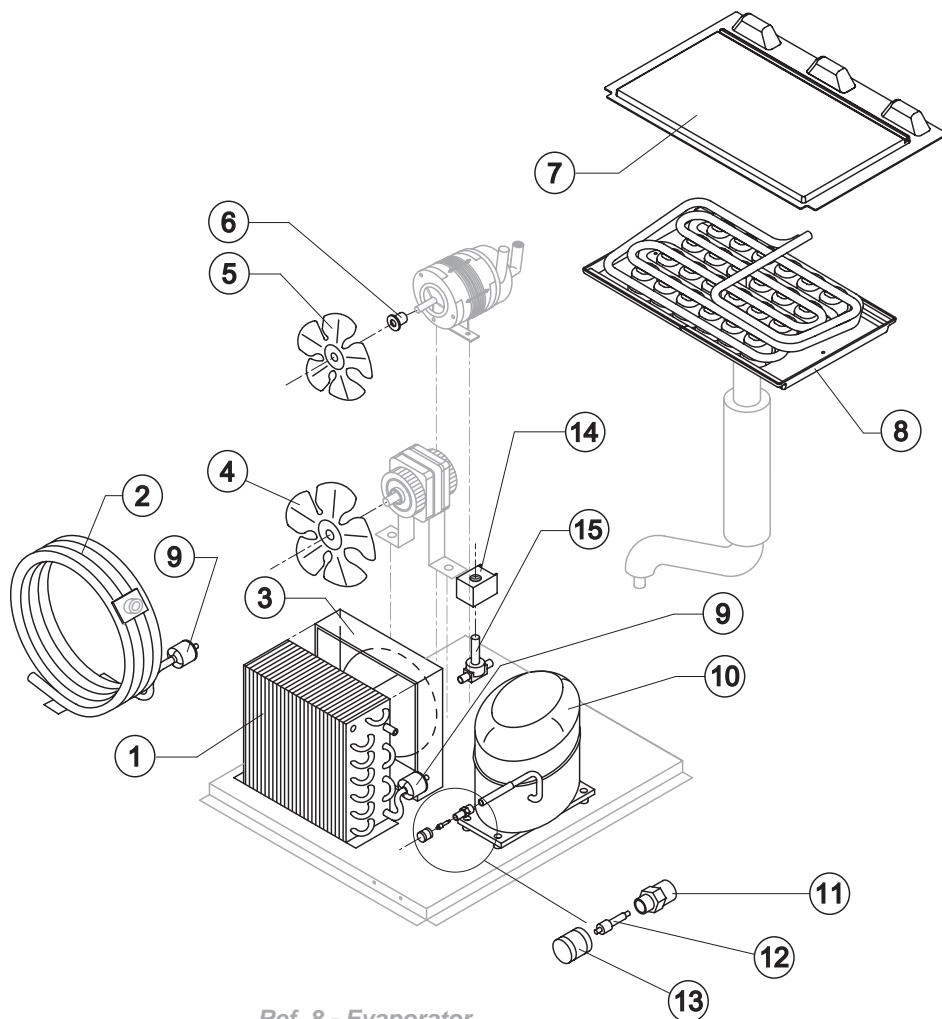
Ref.	Spare Description	Code
1	Foamed Cabinet Assy	See Table
2	Top Assembly	C22688
3	Rear Panel Assembly	C21209
4	Rear Grid	D12021
5	Adjustable Stainless Steel Foot	Current Version
5	ABS Foot	Till s/n. 142534
6	Front Grid Panel	C22564
7*	Filtering Panel	18106
8	Frame with Grid & Filter	C10205
9	Door Assy	C10275
10	Base Plate	Current Version
10	Base Plate	Till s/n. 142534
11	Bulbe-holder Pipe	20521

Ref. 1 - Foamed Cabinet Assy

Code	Condensation	Note
C11086A	Air	Version 2
C11086W	Water	Version 2
C11086/E		Version 1



Rev. 6 - 10/09/2010



Ref. 8 - Evaporator

Kind of Cube	Code
18 g. (Standard)	D10214
33 g.	D10092
13 g.	D10126
42 g.	D10477

Common Parts

Ref.	Spare Description	Code
5	Sucking Fan	10213
6	Fan Fixing Hub	10014
7	Evaporator Cover Panel	Current Version 10450
7	Evaporator Cover Panel	Till s/n. 224687 10058
8	Evaporator	See Table -
9*	Solid Core Drier	14089
10	Compressor	See Table -
11	Vacuum-Charge Valve Body	14007
12*	Vacuum-Charge Valve Device	14005
13*	Vacuum-Charge Valve Plug	14006
14*	Hot Gas Valve Coil	See Table -
15*	Hot Gas Valve Body	20409

Parts for Air-Cooled Version Only

Ref.	Spare Description	Code
1	Air Condenser	20264
3	Air Condenser Conveyor	10163
4	Sucking Fan	20031

Parts for Water-Cooled Version Only

Ref.	Spare Description	Code
2	Water Condenser	14034
4	Sucking Fan	Till s/n. 219960 10213

Ref. 10 - Compressor

Tension	Code
T11	23440
T12	23465
T13	23554
T19	23849

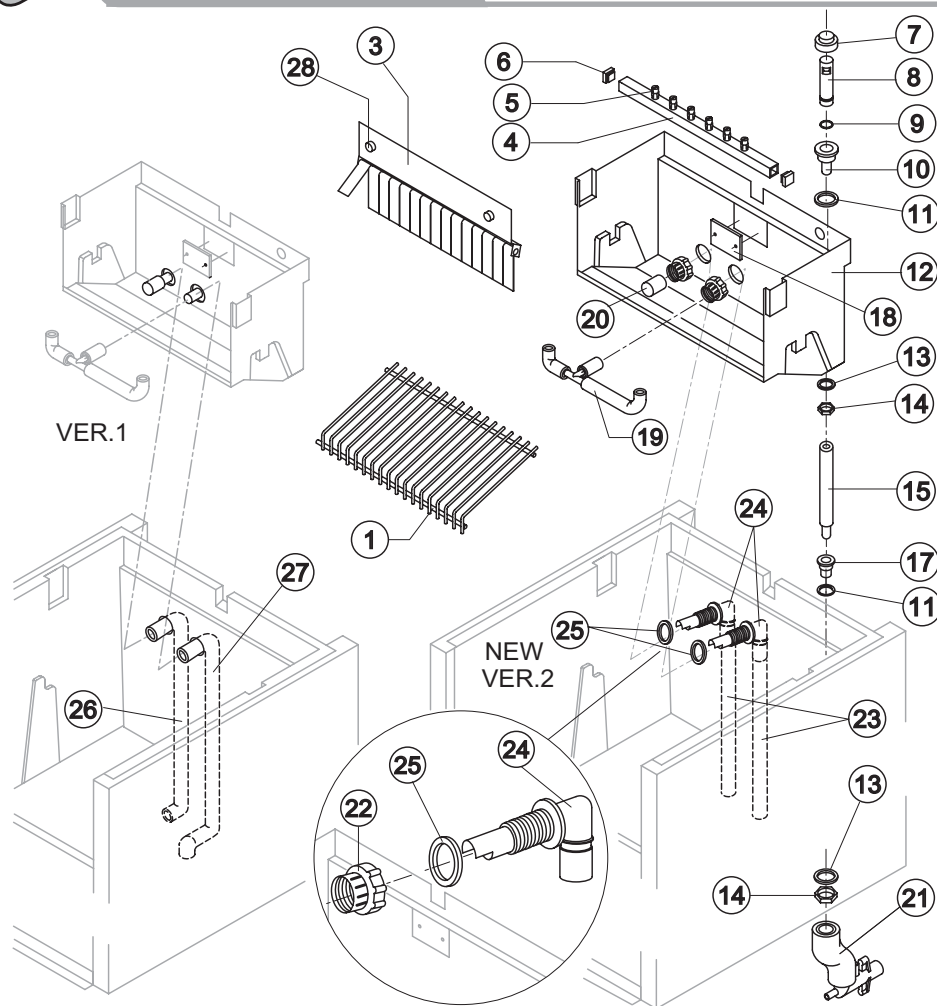
Ref. 14* - Hot Gas Valve Coil

Tension	Code
T11	23091
T12	23091
T13	23256
T19	23256



CB 1265

HYDRAULIC CIRCUIT



Common Parts

Ref.	Spare Description	Code
1	Ice Cubes Slide	See Table
3	Flags Support Assy	C22134
4*	Sprayers Bar Assembly	See Table
5	Sprayer	D20002
6	Sprayers Bar Plug	10012
7*	Overflow Cap	10305
8*	Overflow Pipe	10133
9*	OR Gasket for Overflow Pipe	20233
10	Overflow Pipe Nipple	10471
11	Silicone Gasket	13006
12	Inner Basin	10055
13	Semirigid Polyethylene Gasket	13007
14	Bin Discharge Nut	10096
15*	Overflow Pipe Assembly	13155
17	Water Outlet Nipple	10472
18	Slide Keep Plate	Till s/n. 233769 10009
19	Sprayers Bar Pipe Connection Assy	C13036
20*	Pump Suction Filter	20005
22	Fitting Locking Ring	Version 2 10405
23	Pump Suction/Delivery Pipe	Version 2 13142
24	Fitting of the Pump Suction/Delivery Pipes	Version 2 10404
25	Gasket for Pump Suction/Delivery Pipes	Version 2 13143
26	Pump Suction Pipe	Version 1 13096
27	Pump Delivery Pipe	Version 1 13095
28	Fixing Screw	20009

Ref. 1 - Ice Cube Slide

Kind of Cube	Code
18 g. (Standard)	D12022
33 g.	D12033
13 g.	D12040
42 g.	D12033

Ref. 4* - Sprayers Bar Ass.

Kind of Cube	Code
18 g. (Standard)	C20144
33 g.	C20157
13 g.	C20200
42 g.	C20157

Parts for Air-Cooled Version Only

Ref.	Spare Description	Code
21	Discharges Manifold	C10006

Parts for Water-Cooled Version Only

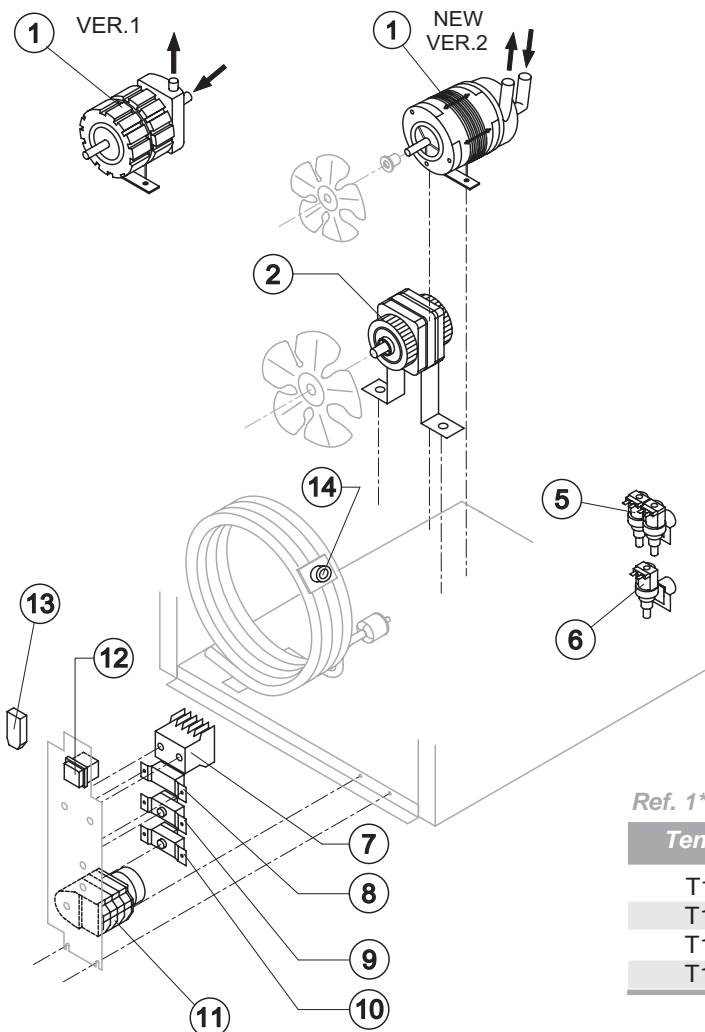
Ref.	Spare Description	Code
21	Discharges Manifold	C26452

Rev. 6 - 10/09/2010



CB 1265

ELECTRIC PARTS



Common Parts

Ref.	Spare Description	Code
1*	Pump Assy	See Table -
2*	Fan Motor	See Table -
7	Contactor	Only T13 and T19 See Table
8*	Condenser Pressure Switch	See Table -
9*	Bin Thermostat	R23005
10*	Evaporator Thermostat	R23591
11*	Timer	See Table -
12*	Green Light Switch (On-Off)	23327

Parts for Air-Cooled Version Only

Ref.	Spare Description	Code
6*	1 Way- Water Inlet Valve	See Table -
13	Anti Radio Interference Filter	Only T11 C23459

Parts for Water-Cooled Version Only

Ref.	Spare Description	Code
5*	2 Ways- Water Inlet Valve	See Table -
13	Anti Radio Interference Filter	Only T11 C23457
14*	Safety Thermostat	C23114

Rev. 6 - 10/09/2010

Ref. 1* - Pump Assy

Tension	Version 1	Version 2
T11	C23068	C23462
T12	C23068	C23462
T13	C23264	C23663
T19	-	C23663

Ref. 2* - Fan motor

Tension	Air	Water Till s/n. 219659
T11	23067	23029
T12	23681	23029
T13	23621	23683
T19	23621	-

Ref. 7* - Contactor

Tension	Code
T13	23595
T19	23625

Ref. 5* - 2 Ways- Water inlet valve

Tension	Cube 18g/13g	Cube 33g	Cube 42g
T11	23157	23157	23157
T12	23157	23157	23157
T13	23282	23788	23788
T19	23282	23788	23788

Ref. 6* - 1 Way - Water Inlet valve

Tension	Cube 18g/13g	Cube 33g	Cube 42g
T11	23220	23220	23787
T12	23220	23787	23787
T13	23281	23789	23789
T19	23281	23789	23789

Ref. 8* - Cond. Pressure Switch

Tension	Code
T11	23175
T12	23175
T13	23175
T19	23680

Ref. 11* - Timer

Tension	18 g Cube	33 g Cube	13 g Cube	42 g Cube
T11	23222	23248	23247	23780
T12	23248	23780	23247	23780
T13	23259	23786	23258	23786
T19	23259	23786	23258	23786